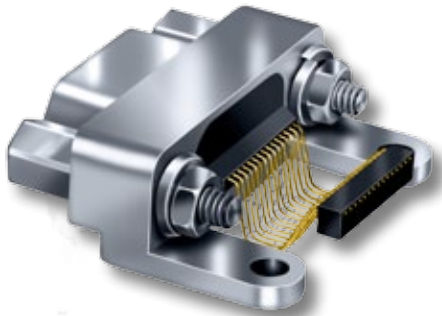




MWDM Surface Mount Right Angle Micro-D Connectors

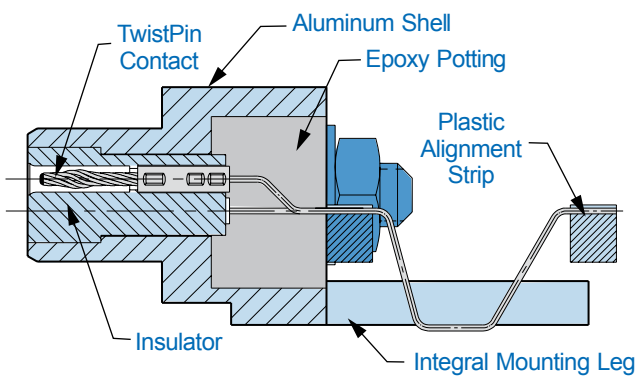


Surface Mount Micro-D – These connectors feature .025 inch terminal spacing and an alignment strip for accurate registration. The integral mounting legs provide a ground path.

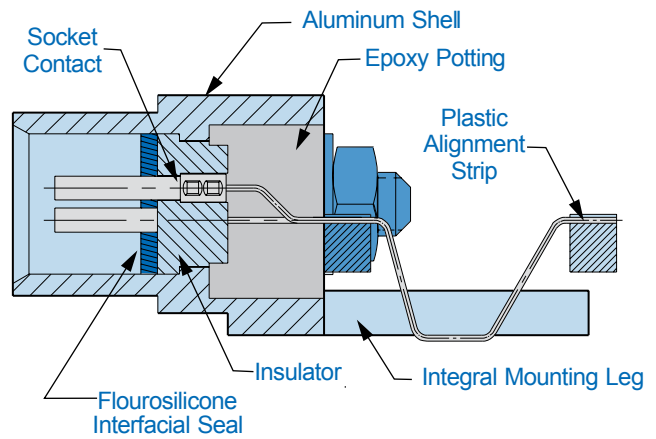
9 To 51 Contacts – These compact connectors are lighter and smaller than comparable thru-hole versions.

Mil Spec Reliability – Suitable for mission-critical requirements, These high performance connectors meet the requirements of MIL-DTL-83513.

C

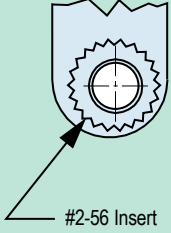


Pin Connector



Socket Connector

HOW TO ORDER SURFACE MOUNT PCB MICRO-D CONNECTORS

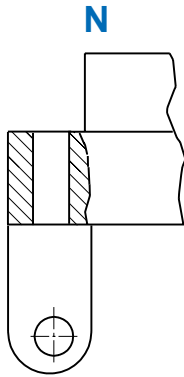
| Series | Shell Material and Finish | Insulator Material | Contact Layout | Contact Type | Termination Type | Jackpost or Jackscrew Option | Board Mounting Threaded Insert Option |
|---------------------------|------------------------------|--|----------------|--------------|----------------------------------|--|---|
| MWDM | 1 – Cadmium | L – LCP 30% Glass-Filled Liquid Crystal Polymer | 9 | P – Pin | SMR Surface Mount Right Angle | N – Thru-Hole P – Jackpost M – Jackscrew, Hex Head T – Threaded Insert Jackposts for Rear Panel Mounting R1 – .032" Panel R2 – .047" Panel R3 – .062" Panel R4 – .093" Panel R5 – .125" Panel | N – Thru-Hole, No Insert T – Threaded Inserts  #2-56 Insert |
| | 2 – Nickel | | 15 | S – Socket | | | |
| | 4 – Black Anodize | | 21 | | | | |
| | 5 – Gold | | 25 | | | | |
| | 6 – Chem Film | | 31 | | | | |
| | | 37 | | | | | |
| | 51-2 | | | | | | |
| | Stainless Steel Shell | | | | | | |
| | 3 – Passivated | | | | | | |
| Sample Part Number | | | | | | | |
| MWDM | 2 | L | – 51-2 | P | SMR | P | N |

MWDM Surface Mount Right Angle Micro-D Connectors

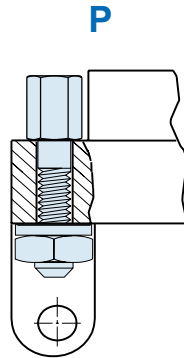


Micro-D
PCB

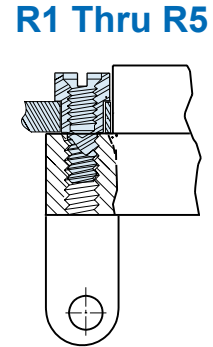
SURFACE MOUNT MICRO-D HARDWARE OPTIONS



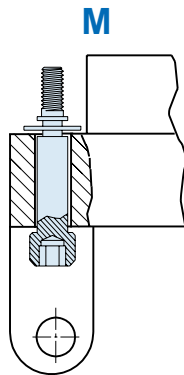
Thru-Hole
No jackpost supplied



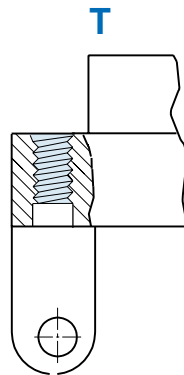
Standard Jackpost
Factory installed with nut and lockwasher



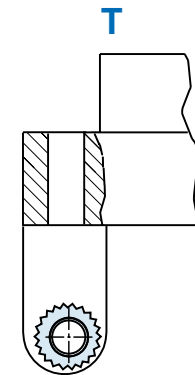
Jackpost for Rear Panel Mounting
Shipped loosely installed. Install with permanent threadlocking compound.



Jackscrew, Hex Drive
Attached with e-ring



Threaded Insert
#2-56 Thread



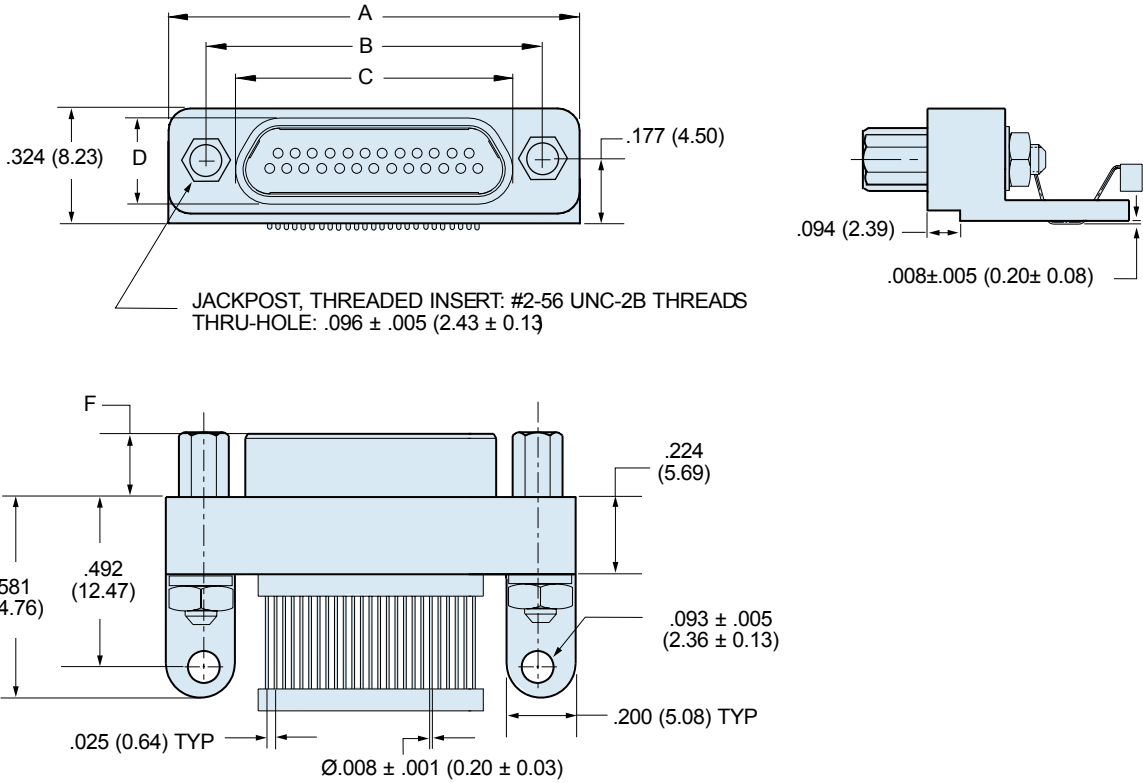
Board Mount Threaded Insert

PERFORMANCE SPECIFICATIONS

| | |
|---------------------------|-------------------------------|
| Current Rating | 1 AMP |
| DWV | 600 VAC Sea level |
| Insulation Resistance | 5000 Megohms Minimum |
| Contact Resistance | 8 Milliohms Maximum |
| Low Level Contact Resist. | 32 Milliohms Maximum |
| Magnetic Permeability | 2 μ Maximum |
| Operating Temperature | -55° C. to +150° C. |
| Shock, Vibration | 50 g., 20g. |
| Mating Force | (10 Ounces) X (# of Contacts) |

MATERIALS AND FINISHES

| | |
|------------------|--|
| Connector Shell | Aluminum Alloy 6061. See Ordering Info for Plating Options |
| Insulators | Liquid Crystal Polymer (LCP) |
| Interfacial Seal | Fluorosilicone Rubber, Blue |
| Pin Contact | Beryllium Copper Gold over Nickel Plating |
| Socket Contact | Copper Alloy Gold Over Nickel Plating |
| PCB Terminals | Gold Plated Copper Alloy, Solder Dipped |
| Hardware | 300 Series Stainless Steel |
| Encapsulant | Epoxy Resin Hysol EE4215 |



DIMENSIONS

| Layout | A Max. | | B | | C Max. | | D Max. | | F | |
|--------|--------|-------|--------------|--------------|--------|-------|--------|------|--------------|--------------|
| | In. | mm. | In. ±.005 | mm. ±0.13 | In. | mm. | In. | mm. | In. ±.003 | mm. ±0.08 |
| 9P | .785 | 19.94 | .565 | 14.35 | .333 | 8.46 | .184 | 4.67 | .183 | 4.65 |
| 9S | .785 | 19.94 | .565 | 14.35 | .400 | 10.16 | .250 | 6.35 | .195 | 4.95 |
| 15P | .935 | 23.75 | .715 | 18.16 | .483 | 12.27 | .184 | 4.67 | .183 | 4.65 |
| 15S | .935 | 23.75 | .715 | 18.16 | .551 | 14.00 | .250 | 6.35 | .195 | 4.95 |
| 21P | 1.085 | 27.56 | .865 | 21.97 | .633 | 16.08 | .184 | 4.67 | .183 | 4.65 |
| 21S | 1.085 | 27.56 | .865 | 21.97 | .701 | 17.81 | .250 | 6.35 | .195 | 4.95 |
| 25P | 1.185 | 30.01 | .965 | 24.51 | .733 | 18.62 | .184 | 4.67 | .183 | 4.65 |
| 25S | 1.185 | 30.01 | .965 | 24.51 | .801 | 20.35 | .250 | 6.35 | .195 | 4.95 |
| 31P | 1.335 | 33.91 | 1.115 | 28.32 | .883 | 22.43 | .184 | 4.67 | .183 | 4.65 |
| 31S | 1.335 | 33.91 | 1.115 | 28.32 | .951 | 24.16 | .250 | 6.35 | .195 | 4.95 |
| 37P | 1.485 | 37.72 | 1.265 | 32.13 | 1.033 | 26.24 | .184 | 4.67 | .183 | 4.65 |
| 37S | 1.485 | 37.72 | 1.265 | 32.13 | 1.101 | 27.96 | .250 | 6.35 | .195 | 4.95 |
| 51-2P | 1.840 | 46.74 | 1.615 | 41.02 | 1.375 | 34.93 | .184 | 4.67 | .183 | 4.65 |
| 51-2S | 1.840 | 46.74 | 1.615 | 41.02 | 1.444 | 36.68 | .250 | 6.35 | .195 | 4.95 |

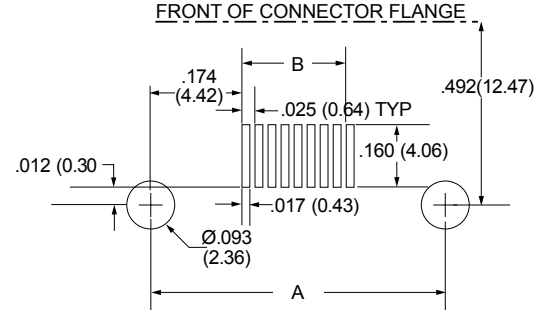
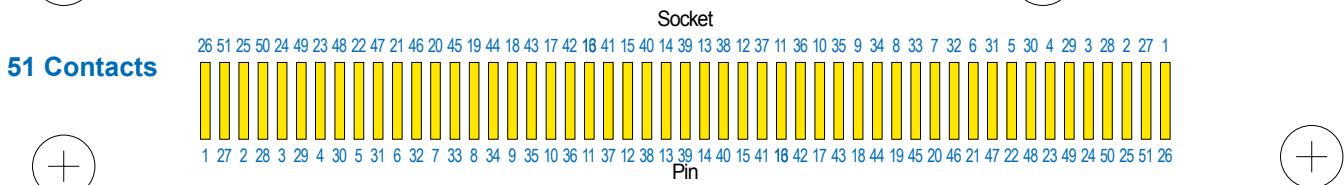
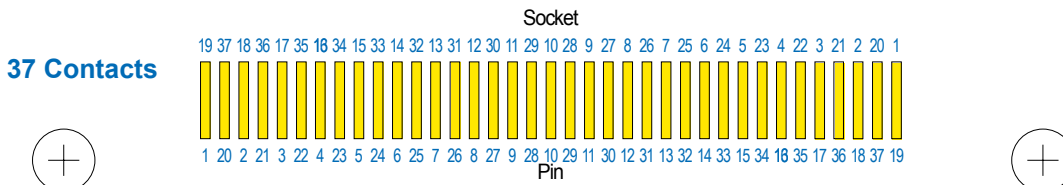
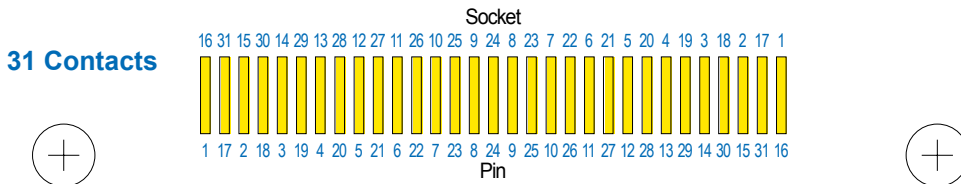
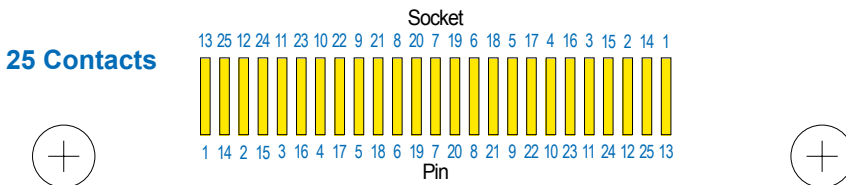
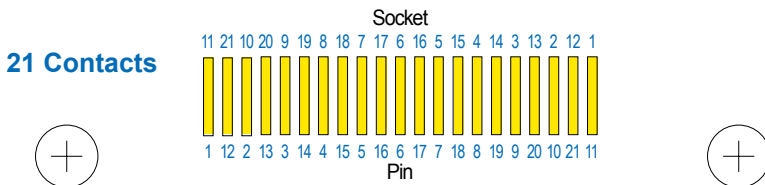
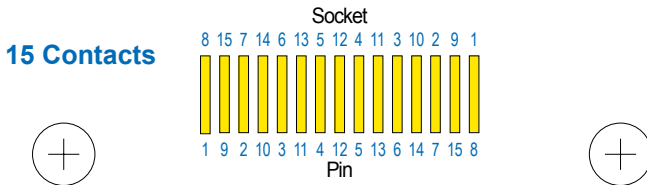
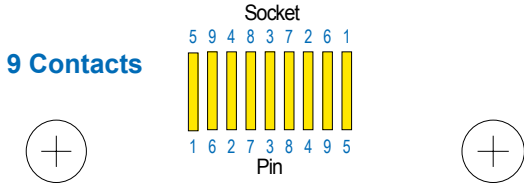
MWDM Surface Mount Right Angle Micro-D Connectors



Micro-D
PCB

SMR SURFACE MOUNT CONNECTOR PCB LAYOUTS

Suggested Printed Circuit Board Layout



| Layout | A | | B | |
|--------|-------|-------|-------|-------|
| | In. | mm. | In. | mm. |
| 9 | .565 | 14.35 | .200 | 5.08 |
| 15 | .715 | 18.16 | .350 | 8.89 |
| 21 | .865 | 21.97 | .500 | 12.70 |
| 25 | .965 | 24.51 | .600 | 15.24 |
| 31 | 1.115 | 28.32 | .750 | 19.05 |
| 37 | 1.265 | 32.13 | .900 | 22.86 |
| 51-2 | 1.615 | 41.02 | 1.250 | 31.75 |

C