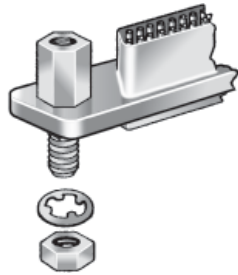




**Rear Panel Mount
Micro-D Jackpost**



Micro-D Jackpost Kits feature 300 series stainless steel. Select a style: standard hex posts, rear panel, or rear panel printed circuit board.

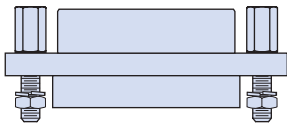
Order One Kit Per Connector. Each kit contains two jackposts.

JACKPOST GENERAL INFORMATION

- Material and Finish:** Corrosion resistant steel in accordance with ASTM A484 and ASTM A582, passivated in accordance with ASTM A967.
- Torque:** #2-56 threads= 2.5 inch-pounds, #4-40 threads = 4.0 inch-pounds. Maximum recommended torque for installation and operation.
- Standard Package:** One kit consists of two jackposts, 2 washers and 2 nuts for styles 1 and 2. Style 3 kits contain two jackposts. One kit per bag.
- Application:** Style 1 and 2 jackposts are compatible with any standard Micro-D connector. Style 3 jackposts for rear panel mounting Glenair printed circuit board connectors types BS, BR, and CBR only.

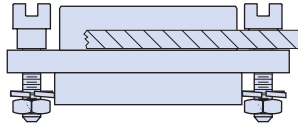
SELECT A JACKPOST STYLE

Style 1



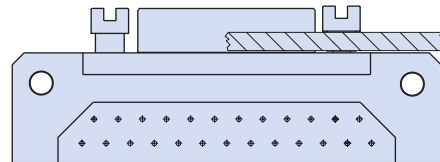
Use With Standard Solder Cup or Pigtail Micro-D Connectors

Style 2



Use With Rear Panel Mounted Solder Cup or Pigtail Micro-D Connectors

Style 3



Use With Rear Panel Mounted Printed Circuit Board Micro-D Connectors

STYLE 1 JACKPOST KITS

Style 1 Jackpost Kits are standard kits for installation on all standard Micro-D connectors. Each kit contains two jackposts, two hex nuts and two lockwashers.

| Connector Sizes (THDS) | Mil Spec Part Number | Glenair Part Number | A Length | | Figure |
|--------------------------------------------------|----------------------|----------------------|------------|-----------|----------|
| | | | In. ± .015 | mm. ± 0.4 | |
| 9 — 69 M83513 sizes A thru G (#2-56) | M83513/05-07 | 080-00-00-100 | .475 | 12.1 | Figure 1 |
| | | 500-069-2-1 | .688 | 17.5 | |
| | | 500-069-2-2 | .813 | 20.7 | |
| | | 500-069-2-3 | .938 | 23.8 | |
| | | 500-069-2-4 | 1.063 | 27.0 | |
| 100 M83513 size H (#4-40) | M83513/05-17 | 080-00-00-101 | .475 | 12.1 | Figure 2 |
| | | 500-069-4-1 | .680 | 17.3 | |
| | | 500-069-4-2 | .805 | 20.4 | |
| | | 500-069-4-3 | .930 | 23.6 | |
| | | 500-069-4-4 | 1.055 | 26.8 | |
| | | 500-069-4-5 | 1.180 | 30.3 | |

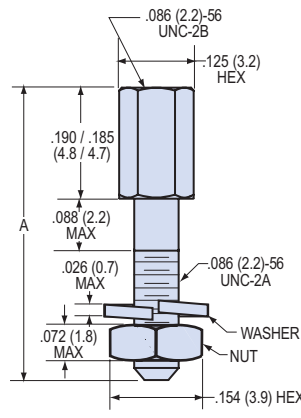


Figure 1
#2-56 Jackpost

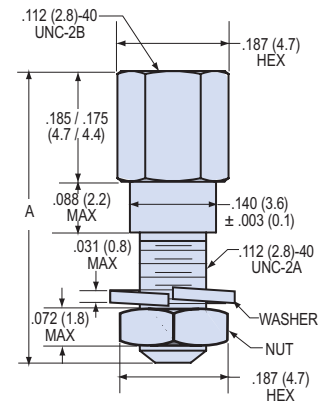
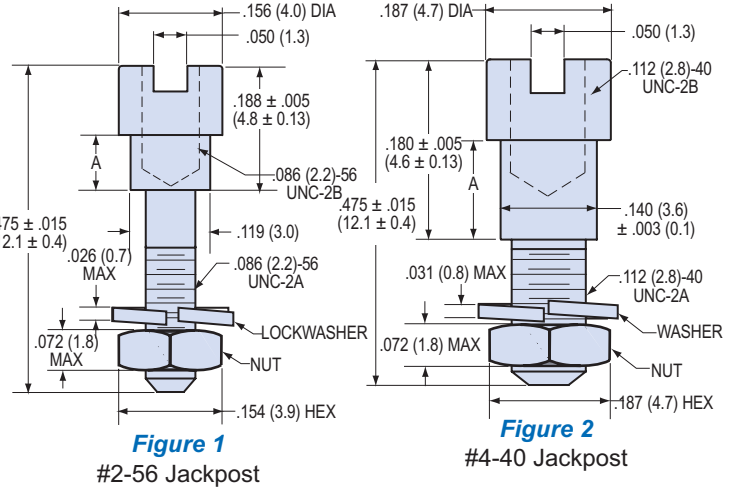


Figure 2
#4-40 Jackpost

STYLE 2 JACKPOST KITS FOR REAR MOUNTED CONNECTORS

Style 2 Jackpost Kits are for rear panel mounted connectors. These round, slotted posts accommodate panel thickness from .031 inches (0.8 mm.) to .125 inches (3.2 mm.).

| Connector Size (THDS) | Panel Thickness | | Part Number | A | | Figure |
|-----------------------------------------------|-----------------|-----|-------------|------------|------------|----------|
| | In. | mm. | | In. ± .003 | mm. ± 0.08 | |
| 9 — 69 M83513 sizes A thru G (#2-56) | .031 | 0.8 | 177-504-2-2 | .024 | 0.61 | Figure 1 |
| | .047 | 1.2 | 177-504-2-3 | .041 | 1.04 | |
| | .062 | 1.6 | 177-504-2-4 | .055 | 1.40 | |
| | .094 | 2.4 | 177-504-2-5 | .086 | 2.18 | |
| 100 M83513 size H (#4-40) | .031 | 0.8 | 177-504-4-2 | .024 | 0.61 | Figure 2 |
| | .047 | 1.2 | 177-504-4-3 | .041 | 1.04 | |
| | .062 | 1.6 | 177-504-4-4 | .055 | 1.40 | |
| | .094 | 2.4 | 177-504-4-5 | .086 | 2.18 | |
| | .125 | 3.2 | 177-504-4-6 | .118 | 3.00 | |



STYLE 3 JACKPOST KITS FOR PRINTED CIRCUIT BOARD CONNECTORS

Style 3 Jackpost Kits are for rear panel mounted PCB connectors. Select the right post by choosing the connector style (BS, BR and CBR are the three standard PCB connector configurations).

| Connector Size (THDS) | Connector Style, Overall Length | Panel Thickness | | Part Number | A | | Figure |
|--------------------------------------------------|------------------------------------|-----------------|---------------|---------------|---------------|------------|----------|
| | | In. | mm. | | In. ± .003 | mm. ± 0.08 | |
| 9 — 69 M83513 sizes A thru G (#2-56) | OAL | .031 | 0.8 | 177-505-A-2-2 | .024 | 0.61 | Figure 1 |
| | | .047 | 1.2 | 177-505-A-2-3 | .041 | 1.04 | |
| | | .062 | 1.6 | 177-505-A-2-4 | .055 | 1.40 | |
| | | .094 | 2.4 | 177-505-A-2-5 | .086 | 2.18 | |
| | BR | .031 | 0.8 | 177-505-B-2-2 | .024 | 0.61 | |
| | | .047 | 1.2 | 177-505-B-2-3 | .041 | 1.04 | |
| OAL | .062 | 1.6 | 177-505-B-2-4 | .055 | 1.40 | | |
| | .094 | 2.4 | 177-505-B-2-5 | .086 | 2.18 | | |
| | .125 | 3.2 | 177-505-B-2-6 | .118 | 3.00 | | |
| | 100 M83513 size H (#4-40) | BR, CBR | .031 | 0.8 | 177-505-C-4-2 | .024 | 0.61 |
| .047 | | | 1.2 | 177-505-C-4-3 | .041 | 1.04 | |
| .062 | | | 1.6 | 177-505-C-4-4 | .055 | 1.40 | |
| OAL | | .094 | 2.4 | 177-505-C-4-5 | .086 | 2.18 | |
| | | .125 | 3.2 | 177-505-C-4-6 | .118 | 3.00 | |
| | | BS | .031 | 0.8 | 177-505-D-4-2 | .024 | 0.61 |
| .047 | 1.2 | | 177-505-D-4-3 | .041 | 1.04 | | |
| .062 | 1.6 | | 177-505-D-4-4 | .055 | 1.40 | | |
| OAL | .094 | 2.4 | 177-505-D-4-5 | .086 | 2.18 | | |
| | .125 | 3.2 | 177-505-D-4-6 | .118 | 3.00 | | |

