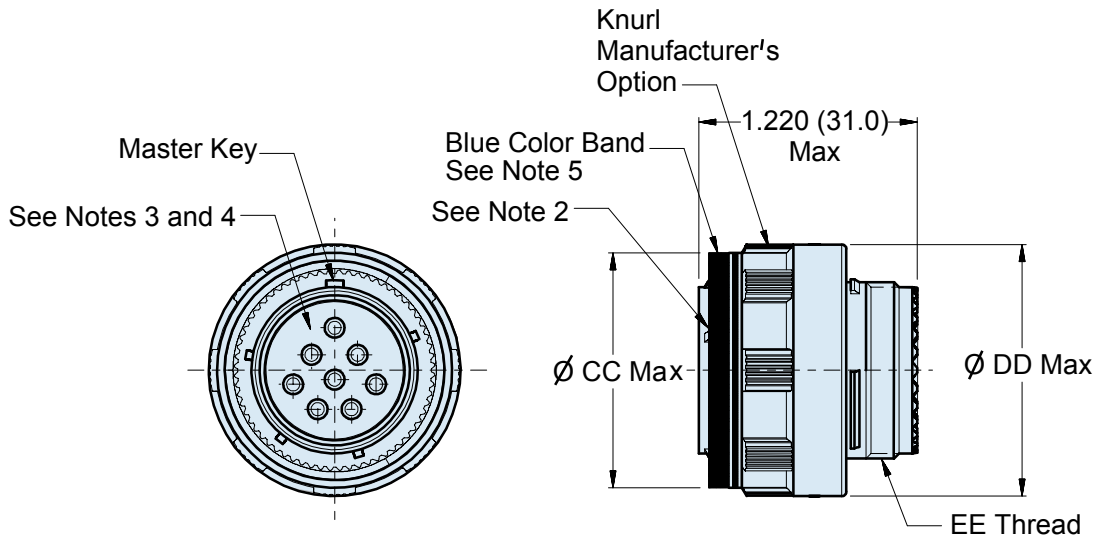
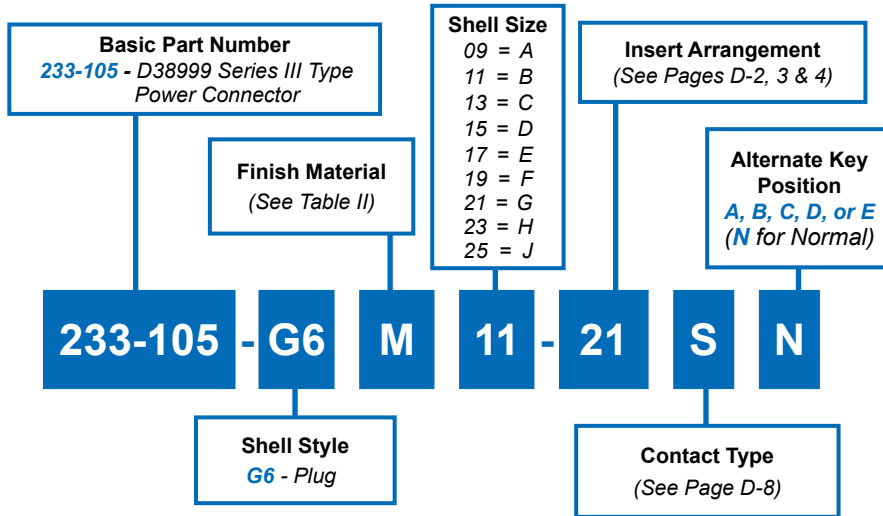




233-105-G6 MIL-DTL-38999 Series III Type Environmental Plug Connector



Consult factory for available insert arrangements.

APPLICATION NOTES

- | | |
|---|---|
| <p>1. Material/ Finishes:
Barrel, Coupling Nut - See Table II
(Composite Coupling Nut - No Plating Required).
Insulators- High Grade Rigid Dielectric/ N.A
Seals- Fluorosilicone/ N.A.</p> <p>2. Assembly to be identified with Glenair's name, part number and date code space permitting.</p> | <p>3. Insert arrangement in accordance with MIL-STD-1560.</p> <p>4. Insert arrangement shown is for reference only.</p> <p>5. Blue Color Band indicates rear release retention system.</p> <p>7. Metric Dimensions (mm) are indicated in parentheses.</p> |
|---|---|

233-105-G6
MIL-DTL-38999 Series III Type
Environmental Plug Connector



TABLE II: FINISH			
SYM	MATERIAL	FINISH	MIL SYM
M	Aluminum	Electroless Nickel	F
NF		Cadmium O.D. Over Electroless Nickel	W
ZN		Zinc Ni, Olive Drab	Z
ZE		Zinc Ni, No Chromate	
ZR		Zinc Ni, Black (Tri-Valent CR)	
AL		Pure-Dense Electro-Deposited Aluminum	P
MT		Ni-PTFE 1000 Hour Grey™	T
XM	Composite	Electroless Nickel	M
XMT		Ni-PTFE 1000 Hour Grey™	
XO		No Finish	
XW		Cadmium O.D. over Electroless Nickel	J
Z1	Stainless Steel	Passivate	
ZC		Zinc Colbalt	
ZL		Electro-Deposited Nickel	
ZW		Cadmium O.D. over Nickel	
AB	Marine Bronze	None (Clean Only)	

*Consult Factory for Additional Plating Options

D

TABLE III: SHELL SIZE				
Shell Size Code	Shell Size	CC Max Dia	DD Max Dia	EE Thread
A	09	.811 (20.6)	.858 (21.8)	M12 x 1.0-6g 0.100R
B	11	.929 (23.6)	.984 (25.0)	M15 x 1.0-6g 0.100R
C	13	1.110 (28.2)	1.157 (29.4)	M18 x 1.0-6g 0.100R
D	15	1.232 (31.3)	1.280 (32.5)	M22 x 1.0-6g 0.100R
E	17	1.358 (34.5)	1.406 (35.7)	M25 x 1.0-6g 0.100R
F	19	1.469 (37.3)	1.516 (38.5)	M28 x 1.0-6g 0.100R
G	21	1.594 (40.5)	1.642 (41.7)	M31 x 1.0-6g 0.100R
H	23	1.720 (43.7)	1.768 (44.9)	M34 x 1.0-6g 0.100R
J	25	1.843 (46.8)	1.890 (48.0)	M37 x 1.0-6g 0.100R