

**HOW TO ORDER:**

EXAMPLE:            947 - 008 M 18 - 35 P N S N

PRODUCT SERIES    ————┐

BASIC NUMBER      ————┘

FINISH SYM. TABLE II ————┐

SHELL SIZE, TABLE I ————┘

INSERT ARRANGEMENT PER MIL-C-26482 ————┐

P = PIN, END A  
S = SOCKET, END A  $\Delta$  ————┘

ALTERNATE POSITION N,W,X,Y OR Z, END A ————┐

P = PIN, END B  
S = SOCKET, END B  $\Delta$  ————┘

ALTERNATE POSITION N,W,X,Y OR Z, END B ————┐

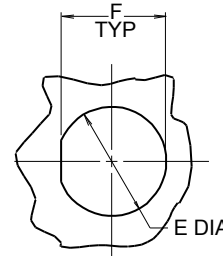
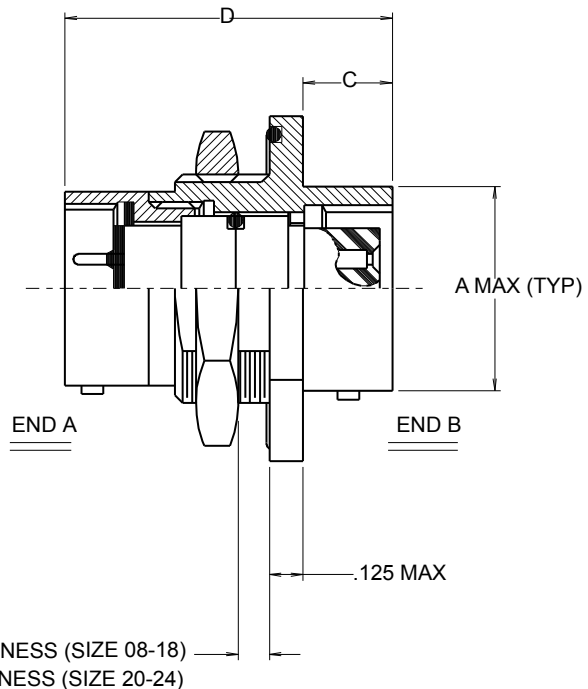

**RECOMMENDED PANEL CUT-OUT**

TABLE II: MATERIALS AND FINISH	
SYM	FINISH DESCRIPTION
B	CADMIUM PLATE/OLIVE DRAB
J	GOLD IRIDITE OVER CADMIUM PLATE OVER NICKEL
M	ELECTROLESS NICKEL
N	CADMIUM PLATE/OLIVE DRAB OVER NICKEL
NF	CAD/O. D. OVER ELECTROLESS NICKEL (500 HOUR SALT SPRAY)
T	CADMIUM PLATE/BRIGHT DIP OVER NICKEL



947-008  
Connector Receptacle, Panel Mount  
MIL-C-26482 Type



MIL-C-26482

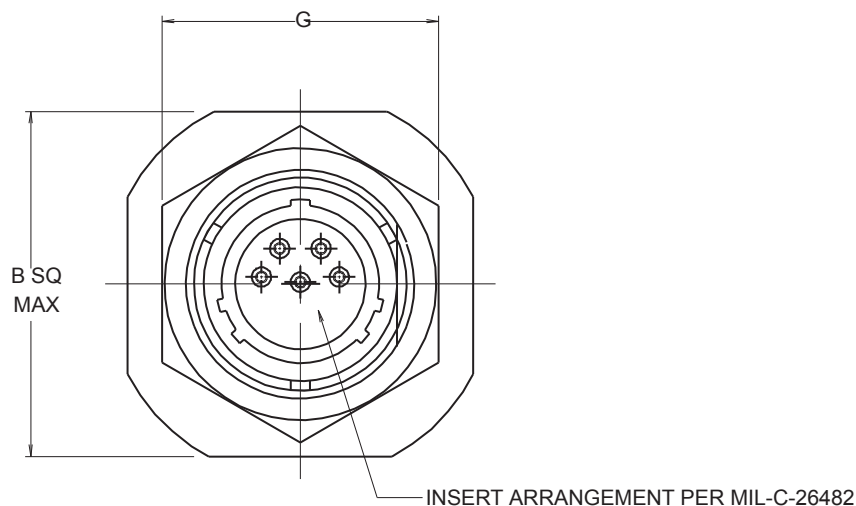


TABLE I: CONNECTOR DIMENSIONS

SHELL SIZE	A MAX	B MAX	C REF	D MAX	E ±.005 (±0.1)	F +.010-.005 (+0.3-.0.1)	G HEX
08	.474 (12.0)	.954 (24.2)	.45 (11.4)	1.53 (38.9)	.572 (14.5)	.540 (13.7)	.750 (19.1)
10	.591 (15.0)	1.078 (27.4)	.45 (11.4)	1.53 (38.9)	.697 (17.7)	.665 (16.9)	.875 (22.2)
12	.751 (19.1)	1.266 (32.2)	.45 (11.4)	1.53 (38.9)	.885 (22.5)	.828 (21.0)	1.062 (27.0)
14	.876 (22.3)	1.391 (35.3)	.45 (11.4)	1.53 (38.9)	1.010 (25.7)	.952 (24.2)	1.188 (30.2)
16	1.001 (25.4)	1.516 (38.5)	.45 (11.4)	1.53 (38.9)	1.135 (28.8)	1.076 (27.3)	1.312 (33.3)
18	1.126 (28.6)	1.641 (41.7)	.45 (11.4)	1.53 (38.9)	1.260 (32.0)	1.201 (30.5)	1.438 (36.5)
20	1.251 (31.8)	1.828 (46.4)	.57 (14.5)	1.75 (44.5)	1.385 (35.2)	1.326 (33.7)	1.562 (39.7)
22	1.376 (35.0)	1.954 (49.6)	.57 (14.5)	1.75 (44.5)	1.510 (38.4)	1.451 (36.9)	1.688 (42.9)
24	1.501 (38.1)	2.078 (52.8)	.61 (15.5)	1.75 (44.5)	1.635 (41.5)	1.576 (40.0)	1.812 (46.0)

**NOTES:**

- ASSEMBLY IDENTIFIED WITH MANUFACTURERS NAME AND PART NUMBER SPACE PERMITTING.
- FOR PIN/PIN, SOCKET/SOCKET, USE SYMETRICAL LAYOUTS ONLY, CONSULT FACTORY FOR AVAILABILITY .
- MATERIAL / FINISH:  
SHELL ASSEMBLY, JAM NUT - AL ALLOY/SEE TABLE II .  
CONTACTS - COPPER ALLOY/GOLD PLATE  
BAYONET PINS - AISI 300 SERIES STAINLESS STEEL - PASSIVATE .  
HOODS - AISI 305 SERIES STAINLESS STEEL - PASSIVATE .  
INSERTS - HIGH GRADE RIGID DIELECTRIC/N.A.  
SEALS; SILICONE/N.A.