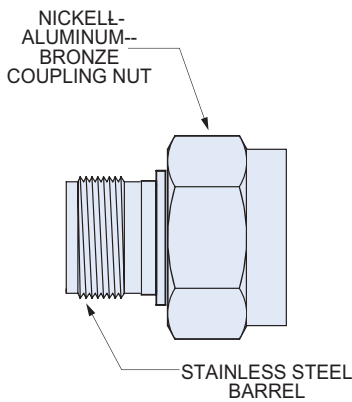


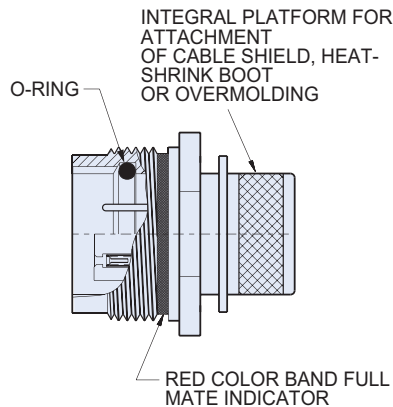
Series 802 “Aqua Mouse” 3500 PSI Rated

Glenair®

Series 800



Series 802 Plug



Series 802 Receptacle

Rugged Stainless Steel – Available in nine sizes from 3 to 85 contacts, Series 802 connectors feature 316 stainless steel shells and Viton® rubber seals for resistance to corrosive chemicals.

Pressure Rated – These connectors withstand up to 3500 PSI hydrostatic pressure in a mated condition. Hermetic versions meet 1000 PSI open face pressure.

Glenair’s Series 802 “Aqua Mouse” Delivers High-Pressure Sealing and Rugged Design in a Miniature Package

Originally developed for petroleum pipeline inspection equipment, Series 802 connectors withstand exposure to corrosive environments and high pressure. These connectors feature high density crimp Mighty Mouse inserts, 316 stainless steel housings and a “piston” o-ring. Heavy gold-plated contacts accept #12-30 AWG wire. Corrosion-resistant nickel-aluminum-bronze coupling nuts resist galling. Standard printed circuit board versions are available, along with hermetic receptacles.



SPECIFICATIONS

| | |
|---------------------------------|---|
| Current Rating | #23 5 AMPS, #16 13 A., #12 23 A. |
| Dielectric Withstanding Voltage | 500 VAC RMS |
| Insulation Resistance | 5000 megohms minimum |
| Operating Temperature | -55° C. to +150° C. |
| Hydrostatic Pressure | 3500 PSI mated, 1000 PSI open face (hermetic) |
| Shock | 300 g. |
| Vibration | 37 g. |
| Shielding Effectiveness | 55 dB minimum from 100MHz to 1000MHz. |
| Durability | 2000 mating cycles |

MATERIALS AND FINISHES

| | |
|---------------------------|---|
| Shells, Jam Nuts | 316 stainless steel per AMS-QQ-S-763, passivated (Code Z1) or electroless nickel plated (Code ZM) |
| Coupling Nuts | Nickel-Aluminum-Bronze, unplated |
| Contacts | Beryllium copper, 50 µinch gold plated per ASTM B488. Socket hood: stainless steel, passivated. Hermetic pin contacts: Nickel-Iron alloy per ASTM-F-30, 50 µinch Gold plated per ASTM B488. |
| Insulators | Liquid crystal polymer (LCP) per MIL-M-24519 GLP-30F, 30% glass-filled |
| Contact Retention Clip | Beryllium copper alloy |
| Interfacial Seal, O-rings | Viton Rubber |
| Rear Sealing Grommet | Nitrile |