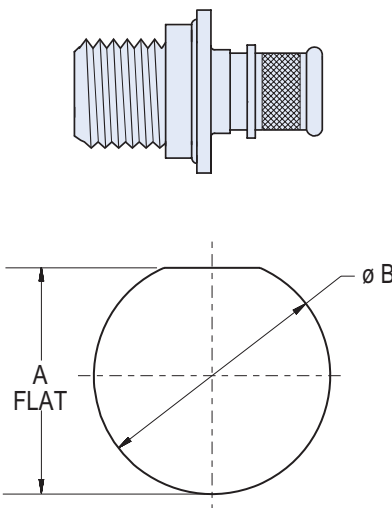


SERIES 800 CONNECTOR WEIGHTS

Layout	Maximum Weight In Grams		
	Cable Plug	Jam Nut Receptacle	
		Crimp Contacts	PCB Contacts
5-3P	3.3	2.3	2.3
5-3S	3.4	2.4	2.4
6-1P	3.9	2.9	2.9
6-1S	4.0	3.0	3.0
6-4P	4.4	3.4	3.5
6-4S	4.7	3.6	3.4
6-7P	4.4	3.3	3.4
6-7S	4.3	3.6	3.5
7-1P	5.2	4.3	4.0
7-1S	5.4	4.5	4.1
7-10P	6.3	5.2	4.6
7-10S	6.7	5.6	4.9
8-13P	6.1	5.0	5.0
8-13S	6.5	5.4	5.4
9-4P	7.9	6.7	6.1
9-4S	8.0	6.9	6.2
9-19P	9.5	8.4	7.0
9-19S	10.2	8.7	7.2
10-26P	7.2	7.4	9.5
10-26S	7.8	7.6	9.0
12-2P	9.5	9.2	10.5
12-2S	9.6	9.3	10.6
12-3S	9.8	9.5	10.8
12-37P	11.4	11.0	12.3
12-37S	14.6	12.4	13.5

SERIES 800 PANEL CUTOUTS



Shell Size	A Flat		øB	
	In.	mm.	In.	mm.
5	.297	7.54	.318	8.08
	.292	7.42		
6	.365	9.27	.386	9.80
	.360	9.14		
7	.429	10.90	.449	11.40
	.424	10.77		
8	.483	12.27	.510	12.95
9	.540	13.72	.574	14.58
10	.614	15.60	.635	16.12
12	.722	18.38	.760	19.30