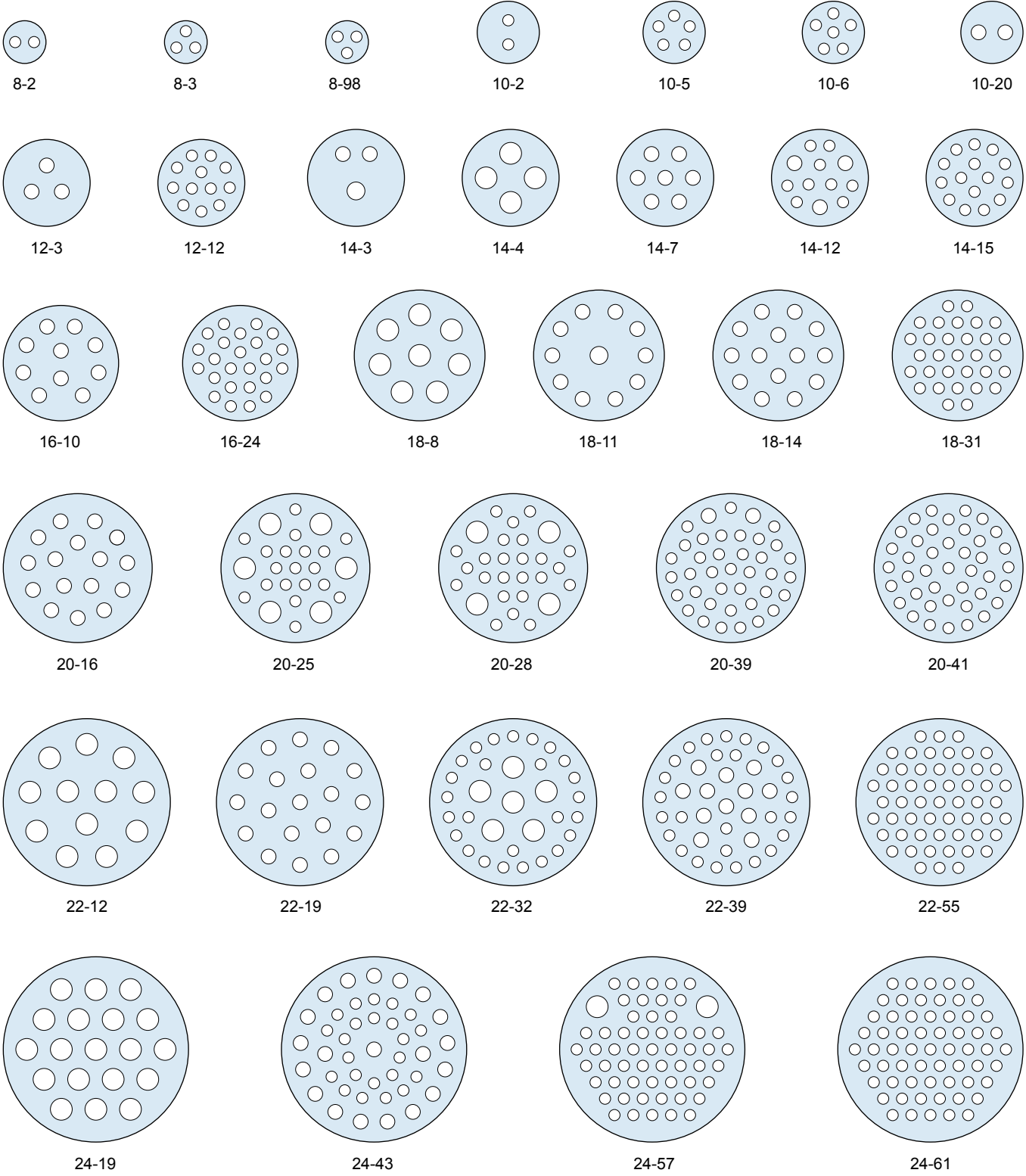


MIL-DTL-83723 Series III Type
Threaded and Bayonet Coupling
Insert Arrangements Per MIL-STD-1554



E

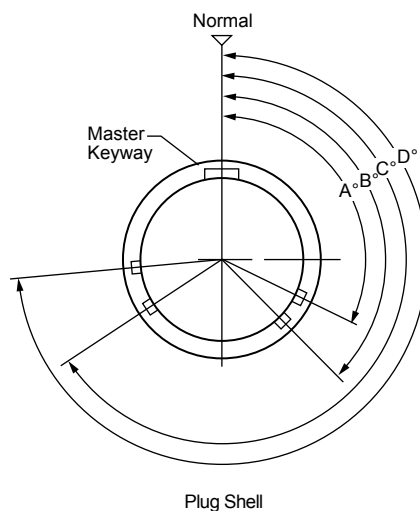
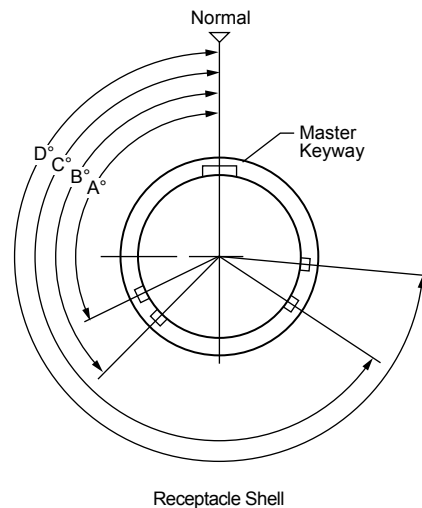
MIL-DTL-83723 Series III Type Threaded and Bayonet Coupling Insert Arrangements and Keyway Positions



MIL-DTL-
83723 TYPE

Insert Arrangements

Shell Size Designator	Insert Arrangement Dash Number	Service Rating	Contact Size and Quantity		
			20	16	12
08	08-02	1	2		
	08-03	1	3		
	08-98	1	3		
10	10-02	1	2		
	10-05	1	5		
	10-06	1	6		
	10-20	1	2		
12	12-03	1		3	
	12-12	1	12		
14	14-03	1		2	
	14-04	1			4
	14-07	1		7	
	14-12	1	9	3	
	14-15	1	15		
16	16-10	1		10	
	16-24	1	24		
18	18-08	1			8
	18-11	1		10	
	18-14	1		14	
	18-31	1	31		
20	20-16	1		16	
	20-25	1	19		6
	20-28	1	24		4
	20-39	1	37	2	
	20-41	1	41		
22	22-12	1			12
	22-19	1		19	
	22-32	1	26		6
	22-39	1	27	12	
	22-55	1	55		
24	24-19	1			19
	24-43	1	23	20	
	24-57	1	55		2
	24-61	1	61		



E