

MIL-DTL-5015 Type Hermetic Power and Signal Connectors

Alternate Key Positions



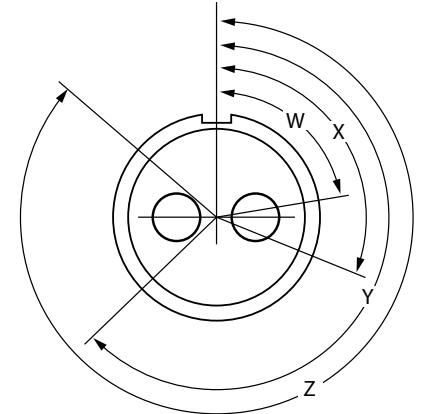
MIL-DTL
5015 Type

Alternate Key Positions

Dash Number	W°	X°	Y°	Z°
8S-1	-	-	-	-
10S-2	-	-	-	-
10SL-3	-	-	-	-
10SL-4	-	-	-	-
12S-3	70	145	215	290
12S-4	-	-	-	-
14S-1	-	-	-	-
14S-2	-	120	240	-
14S-4	-	-	-	-
14S-5	-	110	-	-
14S-6	-	-	-	-
14S-7	90	180	270	-
14S-9	70	145	215	290
16S-1	80	-	-	280
16S-3	-	-	-	-
16S-4	35	110	250	325
16S-5	70	145	215	290
16S-6	90	180	270	-
16S-8	-	170	265	-
16-9	35	110	250	325
16-10	90	180	270	-
16-11	35	110	250	325
18-1	70	145	215	290
18-4	35	110	250	325
18-8	70	-	-	290
18-9	80	110	250	280
18-10	-	120	240	-
18-11	-	170	265	-
18-12	80	-	-	280
20-4	45	110	250	-
20-7	80	110	250	280
20-8	80	110	250	280
20-14	80	110	250	280
20-15	80	-	-	280
20-16	80	110	250	280
20-17	90	180	270	-
20-18	35	110	250	325
20-19	90	180	270	-

Alternate Key Positions

Dash Number	W°	X°	Y°	Z°
20-22	80	110	250	280
20-24	35	110	250	325
20-27	35	110	250	325
20-29	80	-	-	280
20-33	-	-	-	-
22-2	70	145	215	290
22-5	35	110	250	325
22-9	70	145	215	290
22-14	80	-	-	280
22-18	80	110	250	280
22-19	80	110	250	280
22-20	35	110	250	325
22-22	-	110	250	-
22-23	35	-	250	-
24-2	80	-	-	280
24-4	80	110	250	280
24-7	80	110	250	280
24-10	80	-	-	280
24-11	35	110	250	325
24-19	-	-	-	-
24-20	80	110	250	280
24-27	80	-	-	280
24-28	80	110	250	280
28-9	80	110	250	280
28-11	80	110	250	280
28-12	90	180	280	-
28-15	80	110	250	280
28-17	80	110	250	280
28-20	80	110	250	280
28-21	80	110	250	280
32-6	80	110	250	280
32-7	80	125	235	280
32-8	80	125	235	280
32-15	35	110	250	280
32-17	45	110	250	-
36-5	-	120	240	-
36-7	80	110	250	280
36-9	80	125	235	280
36-10	80	125	235	280



Pin Insert Face View
Normal Insert
Keying Shown

F