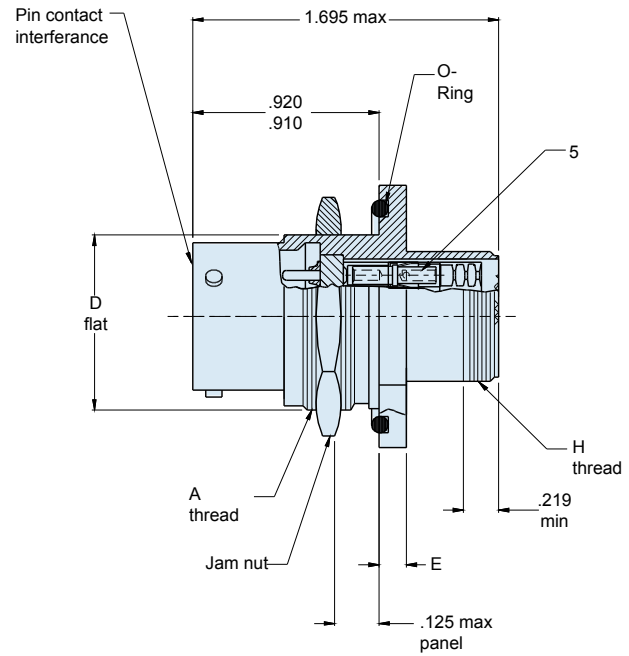
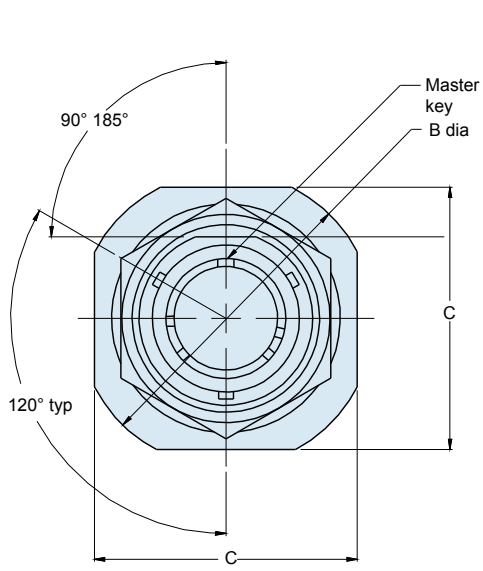
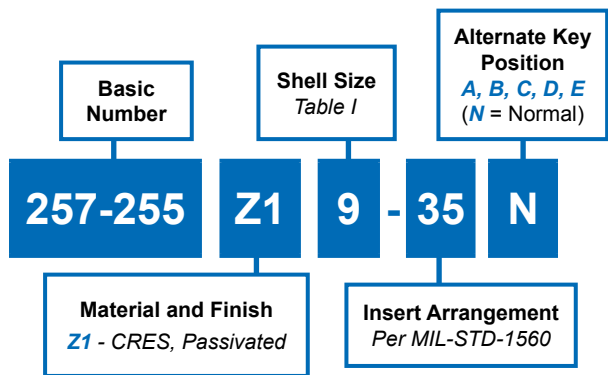


257-255
Jam Nut Mount Hermetic Receptacle
with Crimp Removable Socket Contacts,
MIL-DTL-38999 Series I Type

B



APPLICATION NOTES

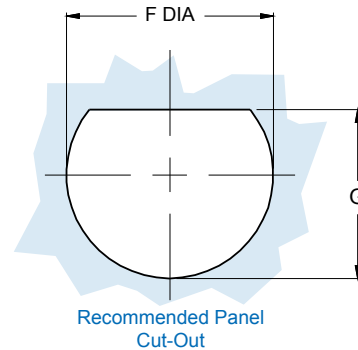
- | | |
|---|---|
| <ol style="list-style-type: none"> 1. Assembly identified with manufacturer's name and part number, space permitting. 2. Insert arrangements in accordance with MIL-STD-1560. 3. Glenair 257-255 receptacle connector is designed to mate with any QPL manufacturer's MIL-DTL-38999 Series I plug connector having the same insert arrangement & polarization. 4. Material/finish: Shell, jam nut—CRES/passivated | <p>Pin contacts—nickel-iron alloy 52/gold Socket contacts—copper alloy/gold Insulator—fused vitreous glass/N.A. Insulators—high grade rigid dielectric/ N.A. Seals—pure fluorosilicone rubber/ N.A.</p> <ol style="list-style-type: none"> 5. Supplied crimp removal socket contacts conform to M39029/57 6. Metric Dimensions (mm) are indicated in parentheses. |
|---|---|

257-255
Jam Nut Mount Hermetic Receptacle
with Crimp Removable Socket Contacts,
MIL-DTL-38999 Series I Type



MIL-DTL
38999 Type

| HERMETIC LEAK RATE MOD CODES | |
|------------------------------|--|
| Designator | Required Leak Rate |
| -585A | 1 x 10 ⁻¹⁰ cc's Helium per second |
| -585B | 1 x 10 ⁻⁹ cc's Helium per second |
| -585C | 1 x 10 ⁻⁸ cc's Helium per second |



B

| TABLE I: CONNECTOR DIMENSIONS | | | | |
|-------------------------------|-------------------|------------------|--------------------|-------------------|
| SHELL SIZE | A THREAD CLASS 2A | B DIA ±.016(0.4) | C FLATS ±.016(0.4) | D FLAT ±.005(0.1) |
| 9 | .6875-24 UNEF | 1.188(30.2) | 1.062(27.0) | .650(16.5) |
| 11 | .8125-20 UNEF | 1.375(34.9) | 1.250(31.8) | .750(19.1) |
| 13 | 1.000-20 UNEF | 1.500(38.1) | 1.375(34.9) | .937(23.8) |
| 15 | 1.125-18 UNEF | 1.625(41.3) | 1.500(38.1) | 1.061(26.9) |
| 17 | 1.250-18 UNEF | 1.750(44.5) | 1.625(41.3) | 1.186(30.1) |
| 19 | 1.375-18 UNEF | 1.938(49.2) | 1.812(46.0) | 1.311(33.3) |
| 21 | 1.500-18 UNEF | 2.062(52.4) | 1.938(49.2) | 1.436(36.5) |
| 23 | 1.625-18 UNEF | 2.188(55.6) | 2.062(52.4) | 1.561(39.6) |
| 25 | 1.750-18 UNS | 2.312(58.7) | 2.188(55.6) | 1.686(42.8) |

| TABLE I (CONTINUED): CONNECTOR DIMENSIONS | | | | |
|---|------------------|-------------------|---------------|-------------------|
| SHELL SIZE | E DIA ±.016(0.4) | F DIA ±.005 (0.1) | G ±.005 (0.1) | H THREAD CLASS 2A |
| 9 | .109(2.8) | .693 (17.60) | .657 (16.70) | .4375-28 UNEF |
| 11 | .109(2.8) | .825 (20.96) | .771 (19.59) | .5625-24 UNEF |
| 13 | .109(2.8) | 1.010 (25.65) | .955 (24.26) | .6875-24 UNEF |
| 15 | .109(2.8) | 1.135 (28.83) | 1.085 (27.56) | .8125-20 UNEF |
| 17 | .140(3.6) | 1.260 (32.01) | 1.210 (30.73) | .9375-20 UNEF |
| 19 | .140(3.6) | 1.385 (35.18) | 1.335 (33.91) | 1.0625-18 UNEF |
| 21 | .140(3.6) | 1.510 (38.35) | 1.460 (37.08) | 1.1875-18 UNEF |
| 23 | .140(3.6) | 1.635 (41.53) | 1.585 (40.26) | 1.3125-18 UNEF |
| 25 | .140(3.6) | 1.760 (44.70) | 1.710 (43.43) | 1.4375-18 UNEF |