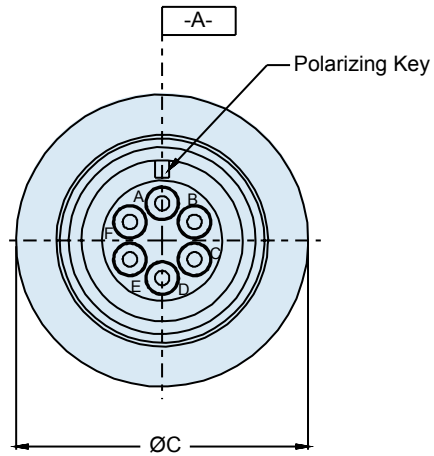
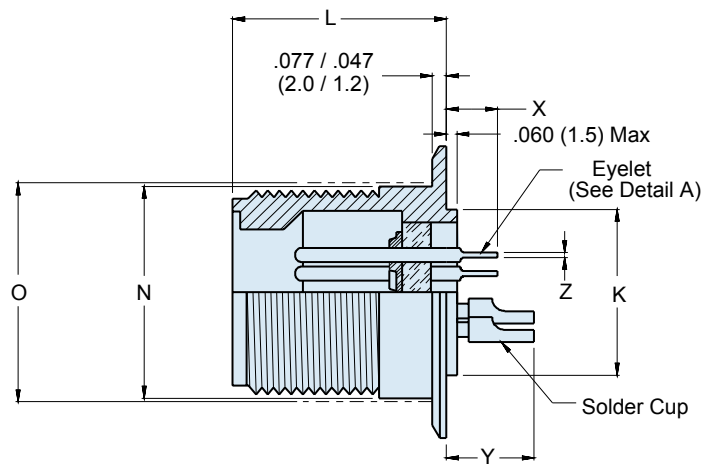
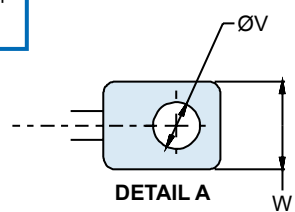
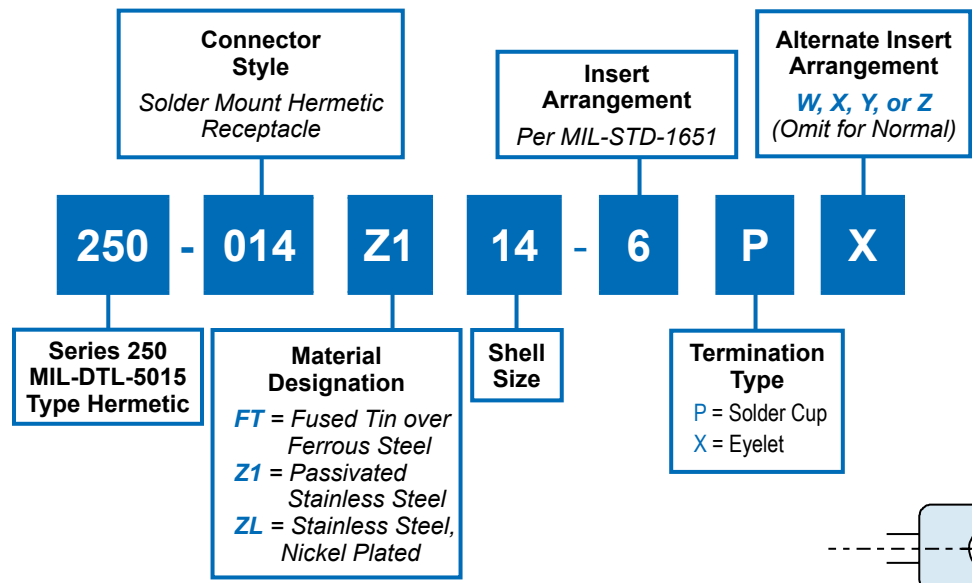




250-014
MIL-DTL-5015 Type Hermetic
Threaded Coupling Solder Mount Receptacle Connector
MS3143 Type



APPLICATION NOTES

- To be identified with manufacturer's name, part number and date code, space permitting.
- Front panel mount square flange receptacle with through mounting holes.
- Material/Finish:
Shell* - Fused tin over ferrous steel; Z1 passivated stainless steel; Nickel Plated Stainless Steel
Contacts - 52 Nickel alloy/gold plate
Seals - Silicone elastomer/N.A.
Insulation - Glass beads, NOIBN/N.A.
- Glenair 250-014 will mate with any MIL-DTL-5015 Series threaded coupling plug of same size and insert polarization.
- Performance:
Hermeticity - $<1 \times 10^{-7}$ cc/Sec @ 1 ATM.
Dielectric Withstanding Voltage - See Table II.
Insulation Resistance - 5000 Megohms min @ 500VDC.
- Metric Dimensions (mm) are indicated in parentheses.

* Additional shell materials available, including titanium and Inconel®. Consult factory for ordering information.

250-014
MIL-DTL-5015 Type Hermetic
Threaded Coupling Solder Mount Receptacle Connector
MS3143 Type



MIL-DTL
5015 Type

TABLE I: CONTACT DIMENSIONS

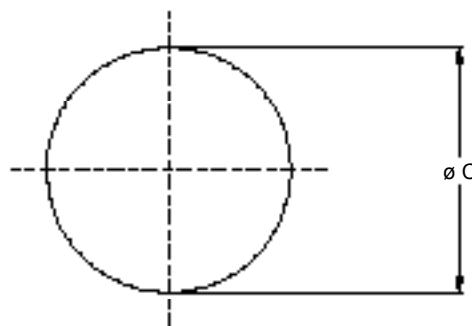
Contact Size	X Max	Y Max	Z Min	V Min	W Max
16	.219 (5.6)	.375 (9.5)	.020 (0.5)	.065 (1.7)	.115 (2.9)
12	.281 (7.1)	.516 (13.1)	.020 (0.5)	.096 (2.4)	.190 (4.8)
8	-	.719 (18.3)	-	-	-
4	-	.980 (24.9)	-	-	-
0	-	.980 (24.9)	-	-	-

HERMETIC LEAK RATE MOD CODES

Designator	Required Leak Rate
-585A	1 x 10 ⁻¹⁰ cc's Helium per second
-585B	1 x 10 ⁻⁹ cc's Helium per second
-585C	1 x 10 ⁻⁸ cc's Helium per second

TABLE II: SERVICE RATING

Service Rating	Working Voltage (Volts RMS)
INST	200
A	500
D	900
E	1250
B	1750
C	3000



Recommended Panel
Cut-Out

TABLE III: CONNECTOR DIMENSIONS

Size	C Dia ±.010 (0.25)	K Dia ±.010 (0.25)	L Max Contact Size		N Dia +.000 -.062 (+.000 -.1.6)	O Dia (Ref) Mtg Hole
			16, 12 & 8	4 & 0		
8S	.750 (19.1)	.428 (10.9)	.730 (18.5)	-	.532 (13.5)	.562 (14.3)
10S	.875 (22.2)	.490 (12.4)	.730 (18.5)	-	.656 (16.7)	.688 (17.5)
10SL	.875 (22.2)	.490 (12.4)	.730 (18.5)	-	.656 (16.7)	.688 (17.5)
12S	1.000 (25.4)	.646 (16.4)	.730 (18.5)	-	.782 (19.9)	.812 (20.6)
12	1.000 (25.4)	.646 (16.4)	.915 (23.2)	-	.782 (19.9)	.812 (20.6)
14S	1.125 (28.6)	.709 (18.0)	.730 (18.5)	-	.906 (23.0)	.938 (23.8)
14	1.125 (28.6)	.709 (18.0)	.915 (23.2)	-	.906 (23.0)	.938 (23.8)
16S	1.250 (31.8)	.834 (21.2)	.730 (18.5)	1.040 (26.4)	1.032 (26.2)	1.062 (27.0)
16	1.250 (31.8)	.834 (21.2)	.834 (21.2)	1.040 (26.4)	1.032 (26.2)	1.062 (27.0)
18	1.375 (34.9)	.959 (24.4)	.915 (23.2)	1.040 (26.4)	1.156 (29.4)	1.188 (30.2)
20	1.500 (38.1)	1.146 (29.1)	.915 (23.2)	1.040 (26.4)	1.282 (32.6)	1.312 (33.3)
22	1.625 (41.3)	1.240 (31.5)	.915 (23.2)	1.040 (26.4)	1.406 (35.7)	1.438 (36.5)
24	1.750 (44.5)	1.365 (34.7)	.915 (23.2)	1.040 (26.4)	1.532 (38.9)	1.562 (39.7)
28	2.000 (50.8)	1.615 (41.0)	.915 (23.2)	1.040 (26.4)	1.782 (45.3)	1.812 (46.0)
32	2.250 (57.2)	1.865 (47.4)	.915 (23.2)	1.040 (26.4)	2.032 (51.6)	1.062 (27.0)
36	2.500 (63.5)	2.115 (53.7)	.915 (23.2)	1.040 (26.4)	2.282 (58.0)	2.500 (63.5)
40	2.750 (69.9)	2.365 (60.1)	.915 (23.2)	1.040 (26.4)	2.532 (64.3)	2.750 (69.9)
44	3.000 (76.2)	2.615 (66.4)	.915 (23.2)	1.040 (26.4)	2.782 (70.7)	3.000 (76.2)
48	3.250 (82.6)	2.865 (72.8)	.915 (23.2)	1.040 (26.4)	3.032 (77.0)	3.250 (82.6)

F