



230-017
MIL-DTL-26482 Series II Type Hermetic
Bayonet Coupling Wide Flange Mount Receptacle
MS3442 Type

Connector Style
017 = Hermetic Wide Flange Mount Receptacle

Insert Arrangement
Per MIL-STD-1669

Alternate Insert Arrangement
W, X, Y or Z (Omit for Normal)

230 - 017 FT 10 - 6 P X

Series 230 MIL-DTL-26482 Type

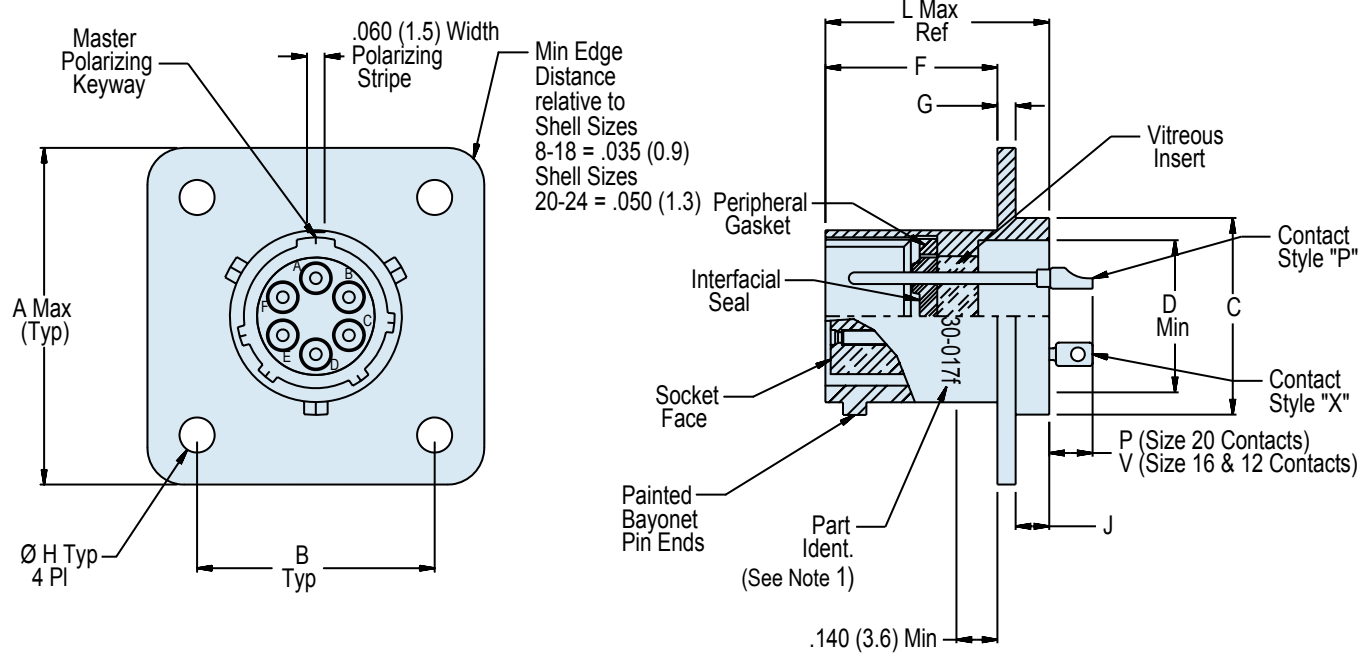
Material/Finish
Z1 = Stainless Steel/Passivated
FT = C1215 Stainless Steel/Tin Plated (See Note 2)

Shell Size

Contact Type
P = Solder Cup, Pin Face
X = Eyelet, Pin Face
S = Socket, Solder Cup
Z = Socket, Eyelet

HERMETIC LEAK RATE MOD CODES	
Designator	Required Leak Rate
-585A	1 x 10 ⁻¹⁰ cc's Helium per second
-585B	1 x 10 ⁻⁹ cc's Helium per second
-585C	1 x 10 ⁻⁸ cc's Helium per second

D



APPLICATION NOTES

- To be identified with manufacturer's name, part number and date code, space permitting.
- Material/Finish:
Shell - Z1 - 304L stainless steel/passivate.
FT - C1215 stainless steel/tin plated.
Titanium and Inconel® available. Consult factory.
Contacts - 52 Nickel alloy/gold plate.
Sockets - Copper alloy, gold plated.
Bayonets - Stainless steel/passivate.
Seals - Silicone elastomer/N.A.
Insulation - Hermetic, glass/N.A.; Socket: Rigid dielectric/N.A.
- Consult factory and/or MIL-STD-1669 for arrangement and insert position options.
- Glenair 230-017 will mate with any QPL MIL-DTL-26482 Series II bayonet coupling plug of same size and insert polarization.
- Performance:
Hermeticity - <1 x 10⁻⁷ cc/sec @ 1 atm differential.
Dielectric withstanding voltage - Consult factory or MIL-STD-1669.
Insulation resistance - 5000 megohms min @500VDC.
- Metric Dimensions (mm) are indicated in parentheses.

230-017
MIL-DTL-26482 Series II Type Hermetic
Bayonet Coupling Wide Flange Mount Receptacle
MS3442 Type



MIL-DTL
26482 Type

TABLE I: CONNECTOR AND CUT-OUT DIMENSIONS (Continued Below)

Shell Size	A	B	C Dia Mounting Locator	D Dia Min	F	G	H
8	1.065 (27.1)	.734 (18.6)	.563/.557 (14.3/14.1)	.403 (10.2)	.598/.578 (15.2/14.7)	.078/.046 (2.0/1.2)	.150 (3.8)
10	1.141 (29.0)	.812 (20.6)	.673/.667 (17.1/16.9)	.515 (13.1)	.598/.578 (15.2/14.7)	.078/.046 (2.0/1.2)	.150 (3.8)
12	1.266 (32.2)	.938 (23.8)	.782/.776 (19.9/19.7)	.630 (16.0)	.598/.578 (15.2/14.7)	.078/.046 (2.0/1.2)	.150 (3.8)
14	1.360 (34.5)	1.031 (26.2)	.907/.901 (23.0/22.9)	.755 (19.2)	.598/.578 (15.2/14.7)	.078/.046 (2.0/1.2)	.150 (3.8)
16	1.453 (36.9)	1.125 (28.6)	1.032/1.026 (26.2/26.1)	.880 (22.4)	.598/.578 (15.2/14.7)	.078/.046 (2.0/1.2)	.150 (3.8)
18	1.532 (38.9)	1.203 (30.6)	1.157/1.151 (29.4/29.2)	.980 (24.9)	.598/.578 (15.2/14.7)	.078/.046 (2.0/1.2)	.150 (3.8)
20	1.688 (42.9)	1.297 (32.9)	1.251/1.245 (31.8/31.6)	1.105 (28.1)	.660/.640 (16.8/16.3)	.110/.078 (2.8/2.0)	.150 (3.8)
22	1.766 (44.9)	1.375 (34.9)	1.376/1.371 (35.0/34.8)	1.230 (31.2)	.660/.640 (16.8/16.3)	.110/.078 (2.8/2.0)	.150 (3.8)
24	1.891 (48.0)	1.500 (38.1)	1.501/1.495 (38.1/38.0)	1.385 (35.2)	.660/.640 (16.8/16.3)	.110/.078 (2.8/2.0)	.150 (3.8)

D

TABLE I (Continued): CONNECTOR AND CUT-OUT DIMENSIONS

Shell Size	J	L	P	V	Panel Cut-Out Dia
8	.125/.105 (3.2/2.7)	.801 (20.3)	.178/.118 (4.5/3.0)	.248/.188 (6.3/4.8)	.570 (14.5)
10	.125/.105 (3.2/2.7)	.801 (20.3)	.178/.118 (4.5/3.0)	.248/.188 (6.3/4.8)	.680 (17.3)
12	.125/.105 (3.2/2.7)	.801 (20.3)	.178/.118 (4.5/3.0)	.248/.188 (6.3/4.8)	.789 (20.0)
14	.125/.105 (3.2/2.7)	.801 (20.3)	.178/.118 (4.5/3.0)	.248/.188 (6.3/4.8)	.914 (23.2)
16	.125/.105 (3.2/2.7)	.801 (20.3)	.178/.118 (4.5/3.0)	.248/.188 (6.3/4.8)	1.039 (26.4)
18	.125/.105 (3.2/2.7)	.801 (20.3)	.178/.118 (4.5/3.0)	.248/.188 (6.3/4.8)	1.164 (29.6)
20	.125/.105 (3.2/2.7)	.863 (21.9)	.178/.118 (4.5/3.0)	.248/.188 (6.3/4.8)	1.258 (32.0)
22	.125/.105 (3.2/2.7)	.895 (22.7)	.146/.086 (3.7/2.2)	.216/.156 (5.5/4.0)	1.383 (35.1)
24	.125/.105 (3.2/2.7)	.895 (22.7)	.146/.086 (3.7/2.2)	.216/.156 (5.5/4.0)	1.508 (38.3)