



**230-016**  
**MIL-DTL-26482 Series II Type Hermetic**  
**Bayonet Coupling Narrow Flange Mount Receptacle**  
**MS3440 Type**

**Connector Style**  
**016 = Hermetic Narrow Flange Mount Receptacle**

**Insert Arrangement**  
 Per MIL-STD-1669

**Alternate Insert Arrangement**  
**W, X, Y or Z**  
 (Omit for Normal)

**230 - 016 FT 10 - 6 P X**

**Series 230**  
**MIL-DTL-26482**  
**Type**

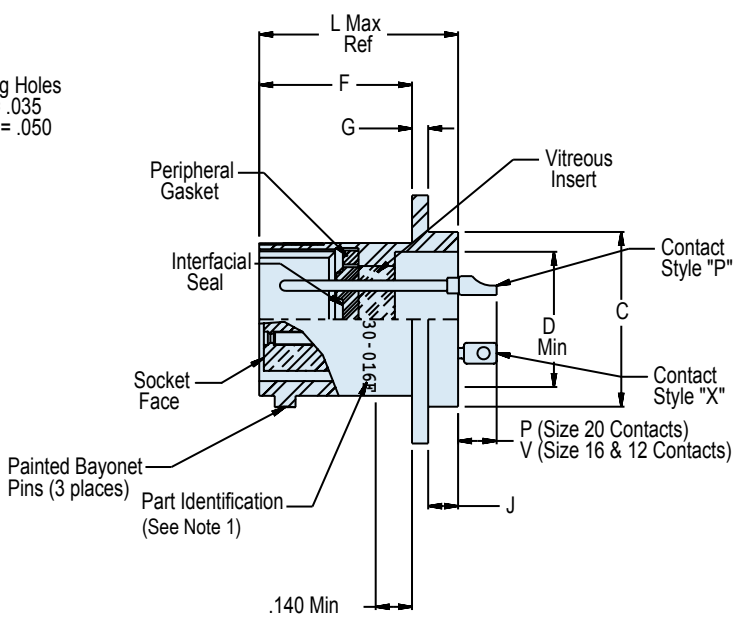
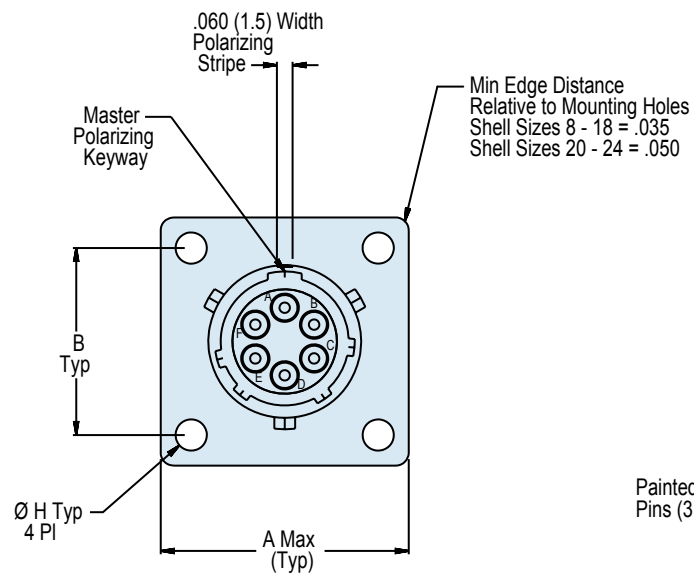
**Material/Finish**  
**Z1 = Stainless Steel/Passivated**  
**FT = C1215 Stainless Steel/Tin Plated**  
 (See Note 2)

**Shell Size**

**Contact Type**  
**P = Solder Cup, Pin Face**  
**X = Eyelet, Pin Face**  
**S = Socket, Solder Cup**  
**Z = Socket, Eyelet**

HERMETIC LEAK RATE MOD CODES	
Designator	Required Leak Rate
-585A	1 x 10 <sup>-10</sup> cc's Helium per second
-585B	1 x 10 <sup>-9</sup> cc's Helium per second
-585C	1 x 10 <sup>-8</sup> cc's Helium per second

**D**



**APPLICATION NOTES**

- To be identified with manufacturer's name, part number and date code, space permitting.
- Material/Finish:  
 Shell: Z1 - 304L stainless steel/passivate.  
 FT - C1215 stainless steel/tin plated.  
 Titanium and Inconel® available. Consult factory.  
 Contacts - 52 Nickel alloy/gold plate.  
 Sockets - Copper alloy, gold plated.  
 Bayonets - Stainless steel/passivate.  
 Seals - Silicone elastomer/N.A.  
 Insulation - Hermetic, glass/N.A.; Socket: Rigid dielectric/N.A.
- Consult factory and/or MIL-STD-1669 for arrangement and insert position options.
- Glenair 230-016 will mate with any QPL MIL-DTL-26482 Series II bayonet coupling plug of same size and insert polarization.
- Performance:  
 Hermeticity - <1 x 10<sup>-7</sup> cc/sec @ 1 atm differential.  
 Dielectric withstanding voltage - Consult factory or MIL-STD-1669.  
 Insulation resistance - 5000 megohms min @500VDC.
- Metric Dimensions (mm) are indicated in parentheses.

**230-016**  
**MIL-DTL-26482 Series II Type Hermetic**  
**Bayonet Coupling Narrow Flange Mount Receptacle**  
**MS3440 Type**



MIL-DTL  
26482 Type

**TABLE I: CONNECTOR AND CUT-OUT DIMENSIONS (Continued Below)**

Shell Size	A	B	C Dia Mounting Locator	D Dia Min	F	G	H
8	.828 (21.03)	.594 (15.1)	.563/.557 (14.3/14.1)	.403 (10.2)	.598/.578 (15.2/14.7)	.078/.04 (2.0/1.0)	.120 (3.0)
10	.954 (24.2)	.719 (18.3)	.673/.667 (17.1/16.9)	.515 (13.1)	.598/.578 (15.2/14.7)	.078/.04 (2.0/1.0)	.120 (3.0)
12	1.047 (26.6)	.812 (20.6)	.782/.776 (19.9/19.7)	.630 (16.0)	.598/.578 (15.2/14.7)	.078/.04 (2.0/1.0)	.120 (3.0)
14	1.141 (29.0)	.906 (23.0)	.907/.901 (23.0/22.9)	.755 (19.2)	.598/.578 (15.2/14.7)	.078/.04 (2.0/1.0)	.120 (3.0)
16	1.234 (31.3)	.969 (24.6)	1.032/1.026 (26.2/26.1)	.880 (22.4)	.598/.578 (15.2/14.7)	.078/.04 (2.0/1.0)	.120 (3.0)
18	1.328 (33.7)	1.062 (27.0)	1.157/1.151 (29.4/29.2)	.980 (24.9)	.598/.578 (15.2/14.7)	.078/.04 (2.0/1.0)	.120 (3.0)
20	1.453 (36.9)	1.156 (29.4)	1.251/1.245 (31.8/31.6)	1.105 (28.1)	.660/.640 (16.8/16.3)	.110/.078 (2.8/2.0)	.120 (3.0)
22	1.578 (40.1)	1.250 (31.8)	1.376/1.371 (35.0/34.8)	1.230 (31.2)	.660/.640 (16.8/16.3)	.110/.078 (2.8/2.0)	.120 (3.0)
24	1.703 (43.3)	1.375 (34.9)	1.501/1.495 (38.1/38.0)	1.385 (35.2)	.660/.640 (16.8/16.3)	.110/.078 (2.8/2.0)	.147 (3.7)

D

**TABLE I (Continued): CONNECTOR AND CUT-OUT DIMENSIONS**

Shell Size	J	L	P	V	Panel Cut-Out Dia	Max. Weight (Lbs)
8	.125/.105 (3.2/2.7)	.801 (20.3)	.178/.118 (4.5/3.0)	.248/.188 (6.3/4.8)	.570 (14.5)	.038
10	.125/.105 (3.2/2.7)	.801 (20.3)	.178/.118 (4.5/3.0)	.248/.188 (6.3/4.8)	.680 (17.3)	.044
12	.125/.105 (3.2/2.7)	.801 (20.3)	.178/.118 (4.5/3.0)	.248/.188 (6.3/4.8)	.789 (20.0)	.052
14	.125/.105 (3.2/2.7)	.801 (20.3)	.178/.118 (4.5/3.0)	.248/.188 (6.3/4.8)	.914 (23.2)	.070
16	.125/.105 (3.2/2.7)	.801 (20.3)	.178/.118 (4.5/3.0)	.248/.188 (6.3/4.8)	1.039 (26.4)	.085
18	.125/.105 (3.2/2.7)	.801 (20.3)	.178/.118 (4.5/3.0)	.248/.188 (6.3/4.8)	1.164 (29.6)	.098
20	.125/.105 (3.2/2.7)	.863 (21.9)	.178/.118 (4.5/3.0)	.248/.188 (6.3/4.8)	1.258 (32.0)	.110
22	.125/.105 (3.2/2.7)	.895 (22.7)	.146/.086 (3.7/2.2)	.216/.156 (5.5/4.0)	1.383 (35.1)	.150
24	.125/.105 (3.2/2.7)	.895 (22.7)	.146/.086 (3.7/2.2)	.216/.156 (5.5/4.0)	1.508 (38.3)	.280