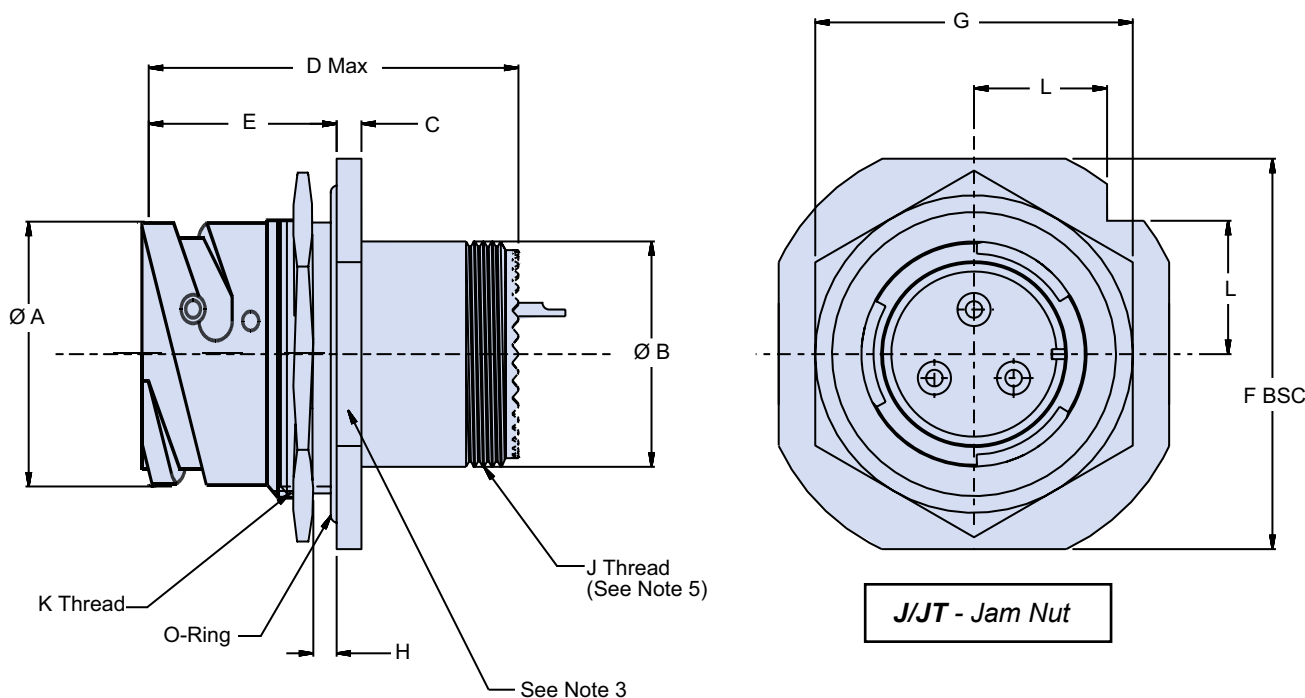
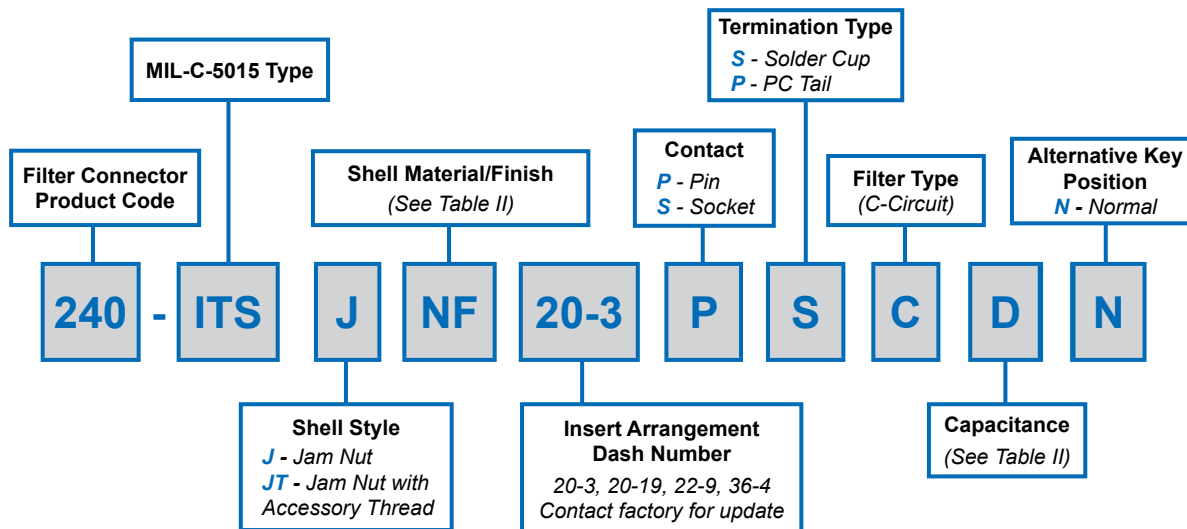




240-ITS-J Jam Nut Mount Filtered Receptacle Connector (5015 Type) with Reverse Bayonet Coupling



APPLICATION NOTES

- Materials/Finishes:
Shells - See Table I
Insulators - High grade thermoplastic/N.A.
Seals - Fluorosilicone/N.A.
Contacts - Copper Alloy/Gold Plated
- EMI Circular Filter Connector designed to meet MIL-DTL-5015
- Assembly to be identified with date code, cage code, Glenair P/N, and serial number
- Electrical Performance:
A - Capacitance - See Table II
B - I.R. 5000 Megohms min at 200 VDC
C - D.W.V. 500 VDC with 100 micro amps max leakage
- Shell style JT shown
- Metric dimensions (mm) are indicated in parentheses

240-ITS-J Jam Nut Mount Filtered Receptacle Connector (5015 Type) with Reverse Bayonet Coupling



5015 Power Connectors

TABLE I: DIMENSIONS

Shell Size	A Ø +.000 -.004 (+.000 -.102)	B Ø Max	C ±.008 (.203)	D Max	E +.008 -.000 (+.203 -.000)	F ±.004 (.102)	G ±.008 (.203)
10SL	.719 (18.3)	.638 (16.2)	.110 (2.8)	1.400 (35.6)	.728 (18.5)	.719 (18.3)	1.062 (27.0)
14S	.965 (24.5)	.756 (19.2)	.130 (3.3)	1.400 (35.6)	.728 (18.5)	.906 (23.0)	1.312 (33.3)
16S	1.071 (27.2)	.882 (22.4)	.130 (3.3)	1.400 (35.6)	.728 (18.5)	.969 (24.6)	1.438 (36.5)
16	1.071 (27.2)	.882 (22.4)	.130 (3.3)	1.800 (45.7)	.913 (23.2)	.969 (24.6)	1.438 (36.5)
18	1.209 (30.7)	1.008 (25.6)	.157 (4.0)	1.800 (45.7)	.913 (23.2)	1.063 (27.0)	1.562 (39.7)
20	1.339 (34.0)	1.142 (29.0)	.157 (4.0)	1.800 (45.7)	.913 (23.2)	1.157 (29.4)	1.688 (42.9)
22	1.469 (37.3)	1.268 (32.2)	.157 (4.0)	1.800 (45.7)	.913 (23.2)	1.250 (31.8)	1.812 (46.0)
24	1.610 (40.9)	1.390 (35.3)	.157 (4.0)	1.800 (45.7)	.913 (23.2)	1.374 (34.9)	2.000 (50.8)
28	1.839 (46.7)	1.630 (41.4)	.157 (4.0)	1.800 (45.7)	.961 (24.4)	1.563 (39.7)	2.250 (57.2)
32	2.102 (53.4)	1.882 (47.8)	.157 (4.0)	1.800 (45.7)	.953 (24.2)	1.750 (44.5)	2.500 (63.5)
36	2.346 (59.6)	2.130 (54.1)	.157 (4.0)	1.800 (45.7)	.953 (24.2)	1.937 (49.2)	2.750 (69.9)
40	2.579 (65.5)	2.323 (59.0)	.157 (4.0)	1.800 (45.7)	.961 (24.4)	2.187 (55.5)	3.000 (76.2)

TABLE III: CAPACITOR ARRAY CODE AND CAPACITANCE RANGE

CLASS	C - SECTION (pF)
X	80,000 - 120,000
Y	40,000 - 60,000
Z	30,000 - 45,000
A	19,000 - 28,000
B	16,000 - 22,500
C	9,000 - 16,500

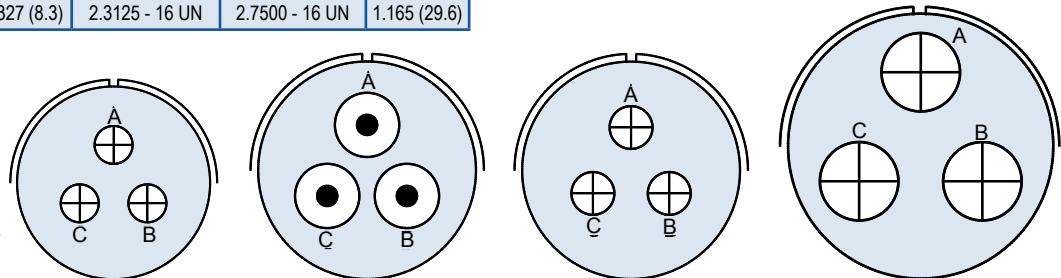
TABLE I: DIMENSIONS (CONTINUED)

Shell Size	H		J Ø Thread	K Thread	L
	Min	Max			
10SL	.094 (2.4)	.205 (5.2)	.6250 - 24 UNEF	.8750 - 20 UNEF	.441 (11.2)
14S	.094 (2.4)	.295 (7.5)	.7500 - 20 UNEF	1.1250 - 18 UNEF	.575 (14.6)
16S	.094 (2.4)	.295 (7.5)	.8750 - 20 UNEF	1.2500 - 18 UNEF	.618 (15.7)
16	.094 (2.4)	.295 (7.5)	.8750 - 20 UNEF	1.2500 - 18 UNEF	.618 (15.7)
18	.094 (2.4)	.354 (9.0)	1.0000 - 20 UNEF	1.3750 - 18 UNEF	.661 (16.8)
20	.094 (2.4)	.354 (9.0)	1.1250 - 18 UNEF	1.5000 - 18 UNEF	.709 (18.0)
22	.094 (2.4)	.358 (9.1)	1.2500 - 18 UNEF	1.6250 - 18 UNEF	.795 (20.2)
24	.094 (2.4)	.358 (9.1)	1.3750 - 18 UNEF	1.7500 - 18 UNS	.795 (20.2)
28	.094 (2.4)	.335 (8.5)	1.6250 - 18 UNEF	2.0000 - 18 UNS	.886 (22.5)
32	.094 (2.4)	.256 (6.5)	1.8750 - 16 UN	2.2500 - 16 UN	.972 (24.7)
36	.094 (2.4)	.327 (8.3)	2.0625 - 16 UN	2.5000 - 16 UN	1.059 (26.9)
40	.094 (2.4)	.327 (8.3)	2.3125 - 16 UN	2.7500 - 16 UN	1.165 (29.6)

TABLE II: SHELL MATERIAL/FINISH

Symbol	Material	Finish Description
M	Aluminum	Electroless Nickel
NF		Cadmium Olive Drab Over Electroless Nickel
P	Stainless Steel	Electro-Deposited Nickel

Example Contact Arrangements



Arrangement	20-3	20-19	22-9	36-4
Contact Size	12	8	12	0
Service Rating	D	A	E	A=D; B,C=A



F