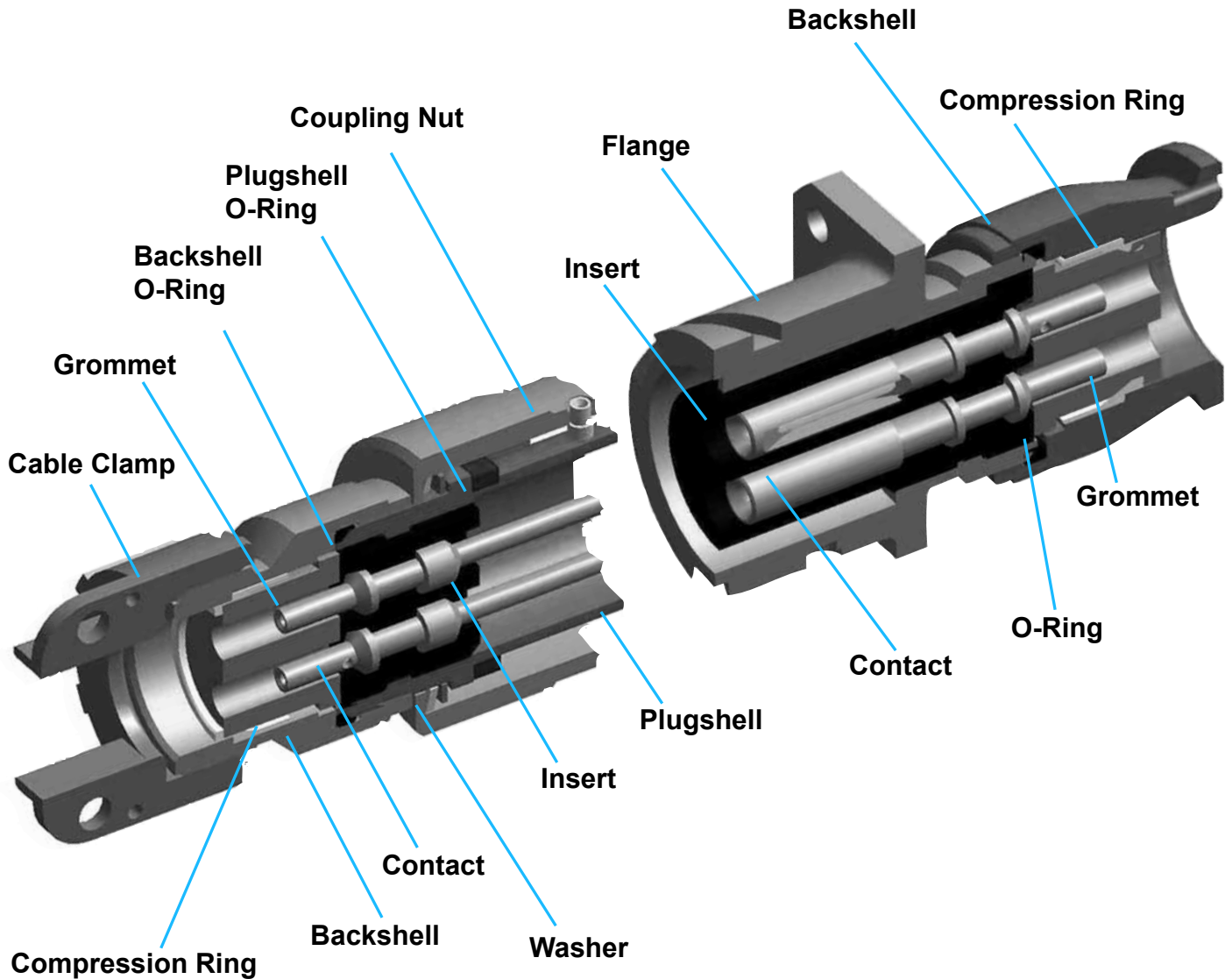


**- 00
Wall Mount Receptacle**

A



**- 06
Straight Plug**