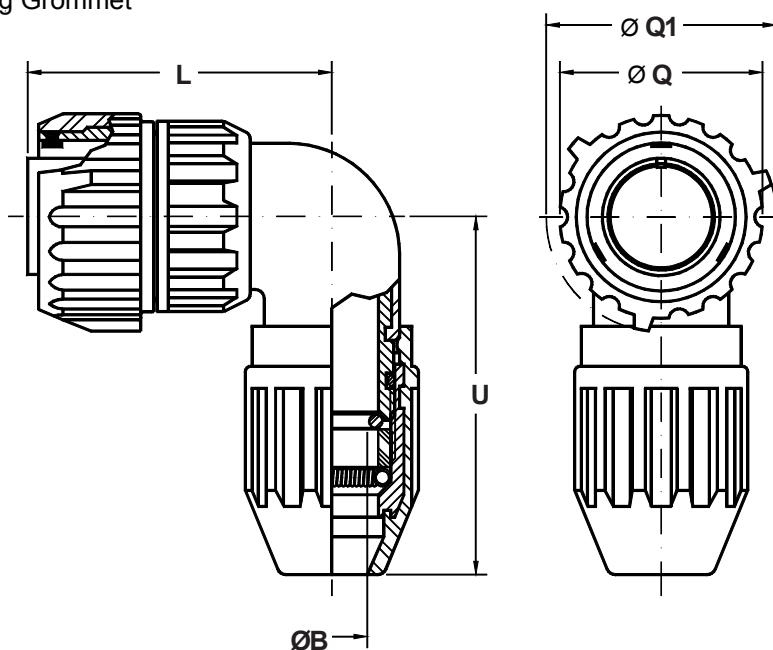


## ITS 4108 (RGP) and ITS 4108 (RRGP) 90° Cylindrical Plug Connector with Rubber-Coated Cable Sealing Backshell for Use with 03 and 030 Receptacles

**FR ITS G 41 08 RGP 20-27 P Y XXX**

<p>Fire Resistant Rubber Compound</p> <p>Reverse Bayonet Coupling</p> <p>Grounding Fingers (Omit for Standard)</p> <p>Contact Type 41 - Crimp Contacts</p> <p>08 - 90° Plug Connector</p> <p>Connector/Backshell Class RGP - Non-Environmental; Supplied with Backshell Only RRGP - Environmental; Supplied with Wire Sealing Grommet</p>	<p>Mod Code Option (See Table II)</p> <p>Alternate Insert Rotation (W, X, Y, Z) Omit for Normal (See Section A)</p> <p>Contact Gender P - Pin S - Socket</p> <p>Shell Size and Insert Arrangement (See Section A)</p>
---	---



### Application Notes:

- 90° cylindrical plug connector with rubber-coated cable sealing backshell with spring style strain relief for use with jacketed cables. Designed for use with 03 and 030 receptacles.
- RGP - Non-Environmental. Supplied with backshell only;  
RRGP - Environmental. Supplied with wire sealing grommet.
- Standard materials configuration consists of aluminum alloy with plating ROHS compliant.
- Standard contact material consists of copper alloy with silver plating or gold plating.
- A broad range of additional connector accessories are available.  
See our website and/or contact the factory for complete information.

**ITS 4108 (RGP) and ITS 4108 (RRGP)  
90° Cylindrical Plug Connector  
with Rubber-Coated Cable Sealing Backshell  
for Use with 03 and 030 Receptacles**



**TABLE I: DIMENSIONS**

<i>Shell size</i>	ØB		L	ØQ	ØQ1	U
	min.	Max.	Max.	±0.5	±0.5	Max.
<b>14 S</b>	9.52	12.70	57	35.0	42.0	60
<b>16 S</b>	12.70	15.90	58	38.0	45.0	68
<b>16</b>	12.70	15.90	67	38.0	45.0	68
<b>18</b>	12.70	15.90	68	43.5	49.0	70
<b>20</b>	15.90	19.00	71	46.0	51.5	72
<b>22</b>	15.90	19.00	71	50.5	56.0	72
<b>24</b>	19.00	22.20	76	54.0	60.0	80
<b>28</b>	22.20	25.40	76	61.0	67.0	80
<b>32</b>	28.50	31.75	80	68.0	76.0	88
<b>36</b>	31.75	34.90	84	74.0	82.0	95
<b>40</b>	38.00	41.27	88	80.0	88.0	98

**TABLE II: MODIFICATION CODES**

CONTACT OPTIONS	
Sym	Description
B0	Connector less contacts
B1	Connector with gold plated contacts
<b>Omit for version Silver plated</b>	