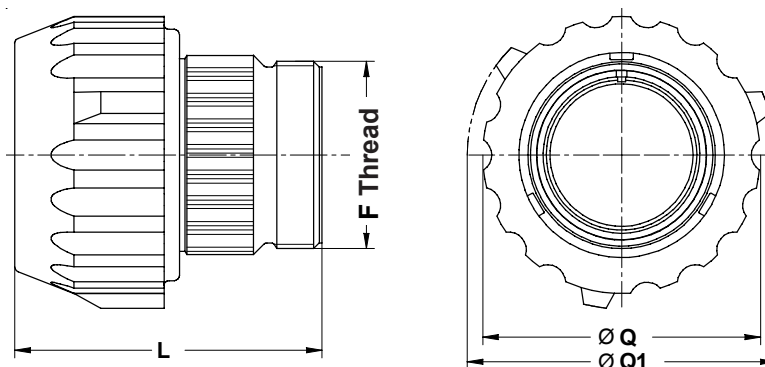
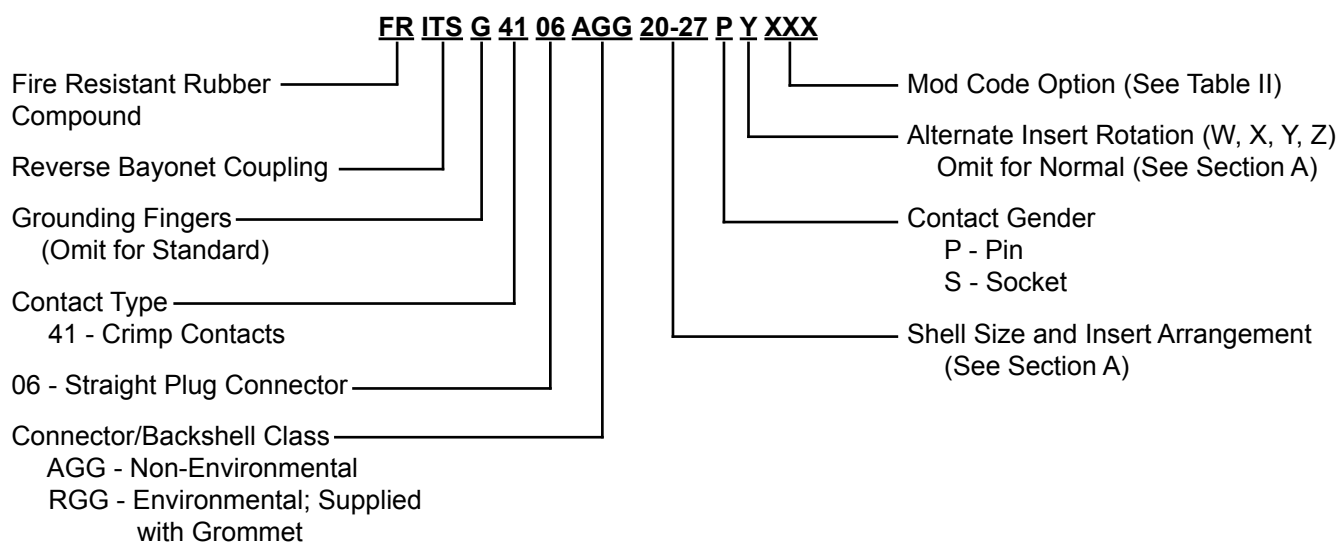


## ITS 4106 (AGG) and ITS 4106 (RGG) Straight Plug Connector with Rubber-Coated Coupling Nut



### Application Notes:

1. Straight plug connector with rubber covered coupling nut.
2. Connector/Backshell class "AGG" (no grommet supplied) or "RGG" (insulating grommet supplied).
3. Standard materials configuration consists of aluminum alloy with plating ROHS compliant.
4. Standard contact material consists of copper alloy with silver plating or gold plating.
5. A broad range of additional connector accessories are available.  
See our website and/or contact the factory for complete information.

**TABLE I: DIMENSIONS**

Shell Size	L Max.	ØQ ±0.5	ØQ1 ±0.5	F Thread
<b>10 SL</b>	46.0	28.6	33.5	0.6250 - 24UNEF
<b>14 S</b>	48.4	35.0	42.0	0.7500 - 20UNEF
<b>16 S</b>	48.4	38.0	45.0	0.8750 - 20UNEF
<b>16</b>	59.8	38.0	45.0	0.8750 - 20UNEF
<b>18</b>	59.8	43.5	49.0	1.0000 - 20UNEF
<b>20</b>	60.1	46.0	51.5	1.1875 - 18UNEF
<b>22</b>	60.1	50.5	56.0	1.1875 - 18UNEF
<b>24</b>	61.7	54.0	60.0	1.4375 - 18UNEF
<b>28</b>	68.2	61.0	67.0	1.4375 - 18UNEF
<b>32</b>	73.3	68.0	76.0	1.7500 - 18UNS
<b>36</b>	78.8	74.0	82.0	2.0000 - 18UNS
<b>40</b>	78.8	80.0	88.0	2.2500 - 16UN

**TABLE II: MODIFICATION CODES**

CONTACT OPTIONS	
Sym	Description
B0	Connector less contacts
B1	Connector with gold plated contacts
<b>Omit for version Silver plated</b>	

