

ITS 4102 (AFS) and ITS 4102 (RFS) Front Panel Mount Square Flange Receptacle No Accessory Threads

FR ITS 41 02 AFS 20-27 P Y XXX

Fire Resistant Rubber
Compound

Reverse Bayonet Coupling

Contact Type
41 - Crimp

02 - Front Box Mount

Connector Class
A - General Duty
R - Sealed Insulator

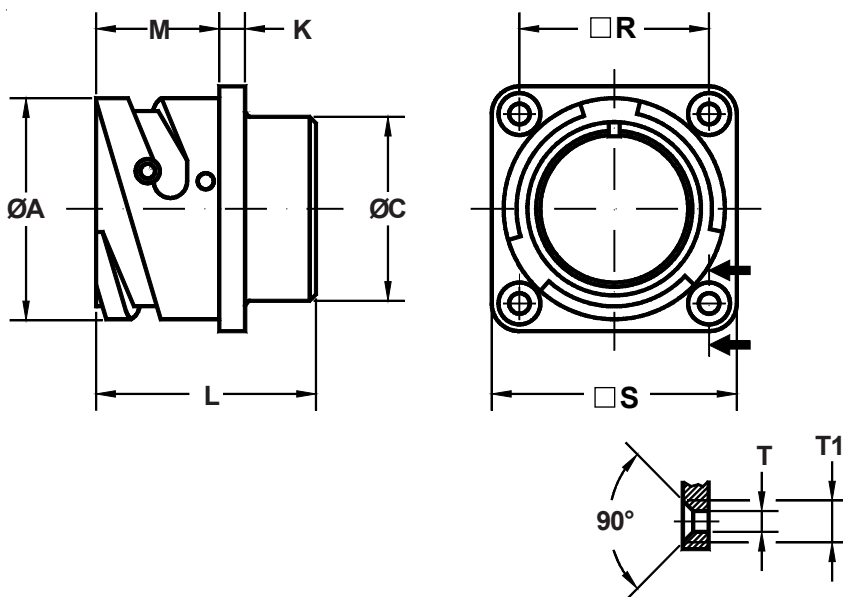
FS - Chamfered Mounting Holes

Mod Code Option (See Table II)

Alternate Insert Rotation (W, X, Y, Z)
Omit for Normal (See Section A)

Contact Gender
P - Pin
S - Socket

Shell Size and Insert Arrangement
(See Section A)



Application Notes:

1. Front panel mount square flange receptacle—No accessory threads. Chamfered mounting holes.
2. Connector class:
A - general duty
R - sealed insulator
FS - chamfered mounting holes
3. Standard materials configuration consists of aluminum alloy with plating ROHS compliant.
4. Standard contact material consists of copper alloy with silver plating or gold plating.

**ITS 4102 (AFS) and ITS 4102 (RFS)
Front Panel Mount Square Flange Receptacle
No Accessory Threads**



TABLE I: DIMENSIONS

Shell Size	ØA +0 -0.1	ØC Max.	K ±0.2	L ±0.3	M +0.2 -0	R ±0.1	S ±0.2	ØT H13	ØT1
14 S	24.5	19.2	3.3	24.7	14.5	23.00	30.4	3.2	6.5
16 S	27.2	22.4	3.3	24.7	14.5	24.60	32.5	3.2	6.5
16	27.2	22.4	3.3	33.8	19.1	24.60	32.5	3.2	6.5
18	30.7	25.6	4.0	34.5	19.1	27.00	35.0	3.2	6.5
20	34.0	29.0	4.0	34.5	19.1	29.40	38.0	3.2	6.5
22	37.3	32.2	4.0	34.5	19.6	31.75	41.0	3.2	6.5
24	40.9	35.3	4.0	35.7	20.6	34.90	44.5	3.7	7.5
28	46.7	41.4	4.0	35.7	20.7	39.70	50.9	3.7	7.5
32	53.4	47.8	4.0	37.3	22.3	44.45	57.0	4.3	8.0
36	59.6	54.1	4.0	37.3	22.3	49.20	63.5	4.3	8.0
40	65.5	59.0	4.0	37.3	22.3	55.55	69.9	4.3	8.0

TABLE II: MODIFICATION CODES

CONTACT OPTIONS	
Sym	Description
B0	Connector less contacts
B1	Connector with gold plated contacts
Omit for version Silver plated	

