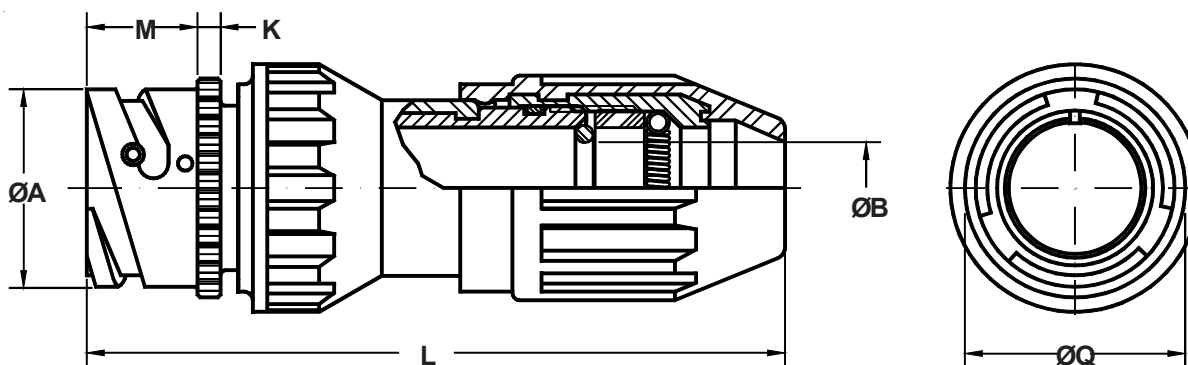
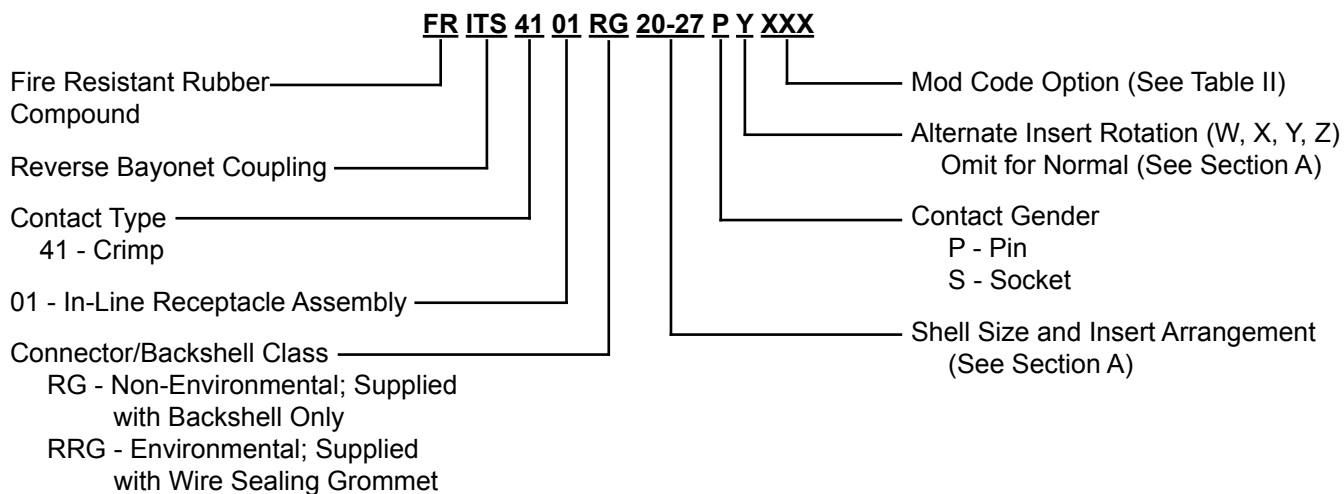


ITS 4101 (RG) and ITS 4101 (RRG) Cylindrical In-Line Receptacle Assembly with Rubber-Coated Cable Sealing Backshell



Application Notes:

1. Cylindrical in-line receptacle assembly with rubber-coated cable sealing backshell with spring style strain relief for use with jacketed cables.
2. RG - Non-Environmental; Supplied with backshell only
RRG - Environmental; Supplied with wire sealing grommet
3. Standard materials configuration consists of aluminum alloy with plating ROHS compliant.
4. Standard contact material consists of copper alloy with silver plating or gold plating.
5. A broad range of additional connector accessories are available.
See our website and/or contact the factory for complete information.

**ITS 4101 (RG) and ITS 4101 (RRG)
Cylindrical In-Line Receptacle Assembly
with Rubber-Coated Cable Sealing Backshell**



TABLE I: DIMENSIONS

Shell Size	ØA +0 -0.1	ØB		K ±0.2	L Max.	M +0.2 -0	ØQ ±0.1
		min.	Max.				
14 S	24.5	9.52	12.70	3.3	85	14.5	28.8
16 S	27.2	12.70	15.90	3.3	90	14.5	30.5
16	27.2	12.70	15.90	3.3	90	19.1	30.5
18	30.7	12.70	15.90	4.0	101	19.1	33.8
20	34.0	15.90	19.00	4.0	119	19.1	36.9
22	37.3	15.90	19.00	4.0	119	19.6	39.5
24	40.9	19.00	22.20	4.0	140	20.6	43.9
28	46.7	22.20	25.40	4.0	140	20.7	48.4
32	53.4	28.50	31.75	4.0	142	22.3	56.0
36	59.6	31.75	34.90	4.0	151	22.3	62.4
40	65.5	38.00	41.27	4.0	153	22.3	68.6

TABLE II: MODIFICATION CODES

CONTACT OPTIONS	
Sym	Description
B0	Connector less contacts
B1	Connector with gold plated contacts
Omit for version Silver plated	

