

ITS 4100 RG (D1) and ITS 4100 RRG (D1) Front Panel Mount Square Flange Receptacle with Backshell for Termination of UNI4883 Rubber Conduit

FR ITS 41 00 RG 20-27 P Y D12722 XXX

Fire Resistant Rubber Compound

Reverse Bayonet Coupling

Contact Type
41 - Crimp

00 - Front Wall Mount

Connector/Backshell Class
RG - Non-Environmental; Not Supplied with Wire Sealing Grommet
RRG - Environmental; Supplied with Wire Sealing Grommet

Mod Code Option (See Table II)

UNI4883 Backshell Adapter Shell Size Designator (See Table III)

Alternate Insert Rotation (W, X, Y, Z)
Omit for Normal (See Section A)

Contact Gender
P - Pin
S - Socket

Shell Size and Insert Arrangement (See Section A)

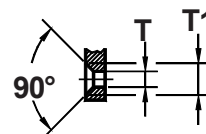
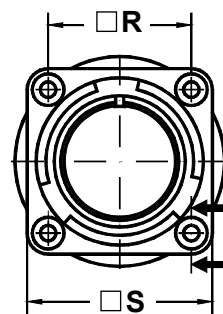
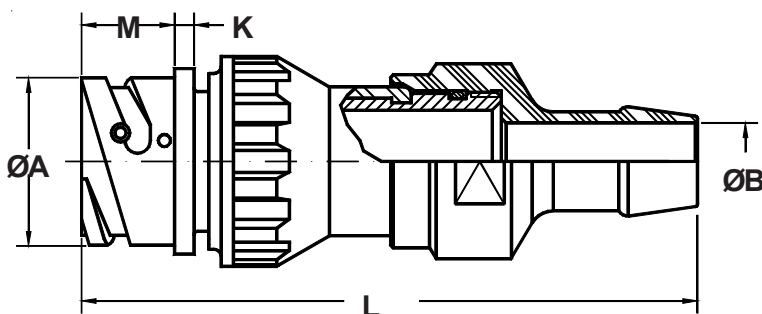


TABLE II: MODIFICATION CODES

CONTACT OPTIONS	
Sym	Description
B0	Connector less contacts
B1	Connector with gold plated contacts
Omit for version Silver plated	

Application Notes:

1. Front panel mount square flange receptacle with rear backshell for termination of UNI4883 type rubber conduit. Through mounting holes.
2. RG - Non-Environmental; Supplied with backshell only
RRG - Environmental; Supplied with wire sealing grommet
3. Standard materials configuration consists of aluminum alloy with plating ROHS compliant.
4. Standard contact material consists of copper alloy with silver plating or gold plating.
5. A broad range of additional connector accessories are available.
See our website and/or contact the factory for complete information.

**ITS 4100 RG (D1) and ITS 4100 RRG (D1)
Front Panel Mount Square Flange Receptacle
with Backshell for Termination of UNI4883 Rubber Conduit**



TABLE I: DIMENSIONS

Shell Size	ØA +0 -0.1	ØB	K ±0.2	L Max.	M +0.2 -0	R ±0.1	S ±0.2	ØT H13	ØT1
14 S	24.5	See Table III Below	3.3	85	14.5	23.00	30.4	3.2	6.5
16 S	27.2		3.3	90	14.5	24.60	32.5	3.2	6.5
16	27.2		3.3	90	19.1	24.60	32.5	3.2	6.5
18	30.7		4.0	101	19.1	27.00	35.0	3.2	6.5
20	34.0		4.0	119	19.1	29.40	38.0	3.2	6.5
22	37.3		4.0	119	19.6	31.75	41.0	3.2	6.5
24	40.9		4.0	140	20.6	34.90	44.5	3.7	7.5
28	46.7		4.0	140	20.7	39.70	50.9	3.7	7.5
32	53.4		4.0	142	22.3	44.45	57.0	4.3	8.0
36	59.6		4.0	151	22.3	49.20	63.5	4.3	8.0
40	65.5		4.0	153	22.3	55.55	69.9	4.3	8.0

TABLE III: BACKSHELL DIMENSIONS RUBBER CONDUIT

Shell Size	In accordance with UNI 4883		ØB ±0.1	±0.2
	ø Min.	ø Max.		
10SL	12.0	17.0	10.5	
18	22.0	27.0	20.5	
20 - 22	12.0	17.0	10.5	
20 - 22	22.0	27.0	20.5	
20 - 22	28.0	33.0	31.5	
24 - 28	20.0	25.0	16.5	
24 - 28	22.0	27.0	20.5	
24 - 28	26.0	31.0	22.5	
24 - 28	28.0	33.0	26.5	
24 - 28	30.0	35.0	26.5	
24 - 28	33.0	38.0	31.5	
24 - 28	45.0	50.0	36.2	
32	26.0	31.0	24.5	
32	28.0	33.0	26.5	
32	33.0	38.0	31.5	
32	35.0	40.0	31.5	
32	45.0	50.0	40.0	
36	30.0	35.0	26.5	
36	33.0	38.0	31.5	
36	35.0	40.0	31.5	
36	45.0	50.0	43.5	
40	36.0	41.0	31.5	
40	40.0	45.0	38.5	
40	45.0	50.0	43.5	
40	50.0	55.0	48.5	

