

ITS 3108 (AGG) and ITS 4108 (RGG) 90° Plug Connector with Rubber-Coated Coupling Nut

FR ITS G 41 08 AGG 20-27 P Y XXX

Fire Resistant Rubber
Compound

Reverse Bayonet Coupling

Grounding Fingers
(Omit for Standard)

Contact Type
41 - Crimp Contacts

08 - 90° Plug Assembly

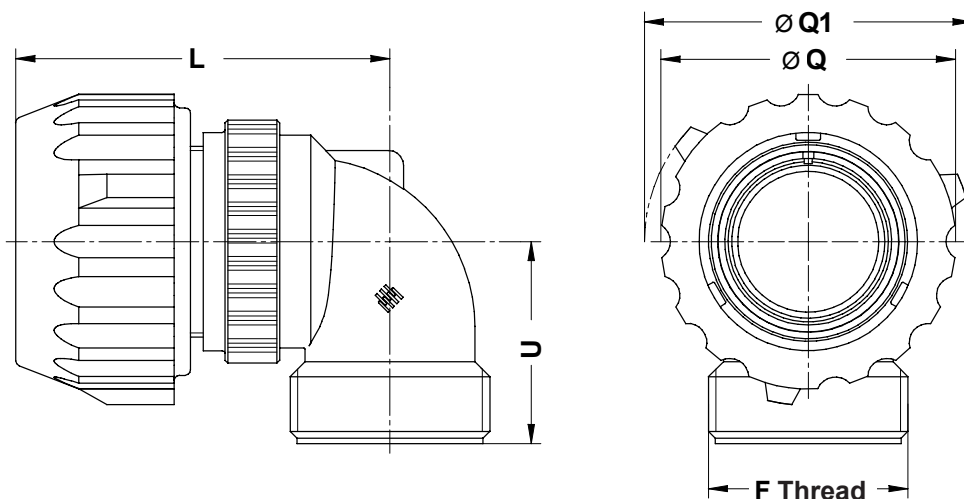
Connector/Backshell Class
AGG - Non-Environmental
RGG - Environmental; Supplied
with Grommet

Mod Code Option (See Table II)

Alternate Insert Rotation (W, X, Y, Z)
Omit for Normal (See Section A)

Contact Gender
P - Pin
S - Socket

Shell Size and Insert Arrangement
(See Section A)



Application Notes:

1. 90° plug connector with rubber-coated coupling nut.
2. AGG - Non-Environmental. Supplied with backshell only;
RGG - Environmental. Supplied with wire sealing grommet.
3. Standard materials configuration consists of aluminum alloy with plating ROHS compliant.
4. Standard contact material consists of copper alloy with silver plating or gold plating.
5. A broad range of additional connector accessories are available.
See our website and/or contact the factory for complete information.

**ITS 3108 (AGG) and ITS 4108 (RGG)
90° Plug Connector with Rubber-Coated Coupling Nut**



TABLE I: DIMENSIONS

<i>Shell size</i>	<i>F thread</i>	L Max.	ØQ ±0.5	ØQ1 ±0.5	U ±0.2
10 SL	0.6250 - 24UNEF	42	28.6	33.5	25.0
14 S	0.7500 - 20UNEF	44	35.0	42.0	26.5
16 S	0.8750 - 20UNEF	48	38.0	45.0	27.0
16	0.8750 - 20UNEF	57	38.0	45.0	27.0
18	1.0000 - 20UNEF	59	43.5	49.0	30.0
20	1.1875 - 18UNEF	64	46.0	51.5	32.0
22	1.1875 - 18UNEF	64	50.5	56.0	32.0
24	1.4375 - 18UNEF	69	54.0	60.0	37.0
28	1.4375 - 18UNEF	69	61.0	67.0	38.0
32	1.7500 - 18UNS	74	68.0	76.0	45.5
36	2.0000 - 18UNS	77	74.0	82.0	47.2
40	2.2500 - 16UN	80	80.0	88.0	52.0

TABLE II: MODIFICATION CODES

CONTACT OPTIONS	
Sym	Description
B0	Connector less contacts
B1	Connector with gold plated contacts
Omit for version Silver plated	

