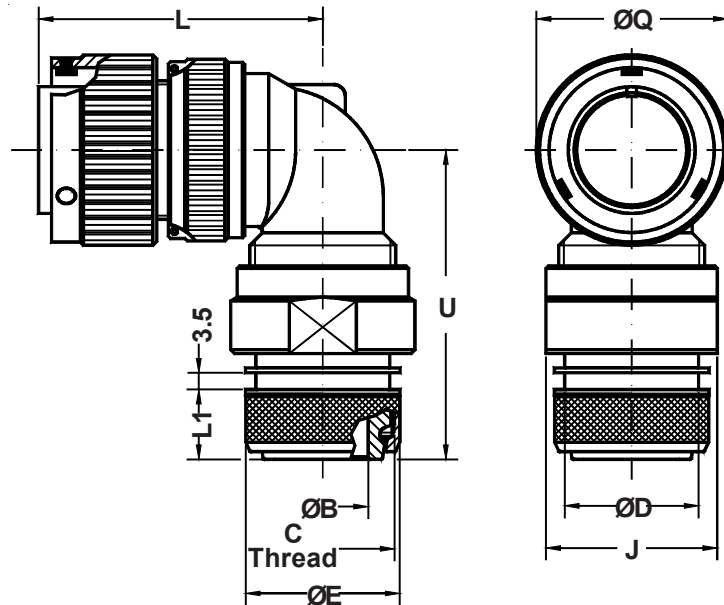
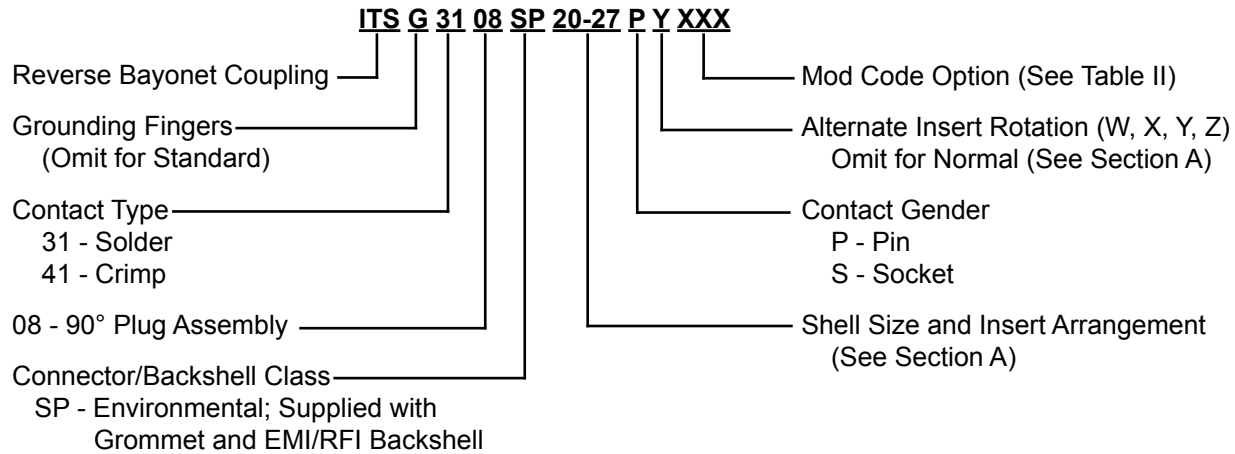


ITS 3108 (SP) and ITS G 3108 (SP)
ITS 4108 (SP) and ITS G 4108 (SP)
Cylindrical Plug Assembly with 90° Backshell
and EMI/RFI Shield Termination Backshell



Application Notes:

- 90° plug assembly with EMI/RFI shield termination backshell and rotating coupling nut. Cable shield is terminated with a "braid-trap" nut. Heat-shrink tubing may also be attached for additional environmental sealing.
- Connector/Backshell Class "SP" (environmental)—Wire sealing grommet supplied.
- Standard materials configuration consists of aluminum alloy. For platings, see TABLE II finish options.
- Standard contact material consists of copper alloy with silver plating or gold plating.
- A broad range of additional connector accessories are available. See our website and/or contact the factory for complete information.
- Standard insert material is synthetic rubber. Add "FR" prefix to front of part number to specify fire resistant inserts

**ITS 3108 (SP) and ITS G 3108 (SP)
ITS 4108 (SP) and ITS G 4108 (SP)
Cylindrical Plug Assembly with 90° Backshell
and EMI/RFI Shield Termination Backshell**



TABLE I: DIMENSIONS

Shell Size	ØB	C Thread	ØD	ØE	J Key	L	L1	ØQ	U
	min.		±0.1	±0.2		Max.	±0.1	±0.2	Max.
10 SL	8.6	M16 x 1	13.0	18.5	20	40	13.5	22.6	53.0
14 S	10.7	M20 x 1	16.5	22.3	23	42	13.5	29.0	54.5
16 S	13.9	M23 x 1	21.5	25.3	26	46	14.6	31.6	55.0
16	13.9	M23 x 1	21.5	25.3	26	55	14.6	31.6	57.0
18	15.0	M26 x 1	21.7	28.0	28	57	14.6	36.2	60.0
20	18.8	M30 x 1	26.0	32.3	32	62	14.6	39.8	63.0
22	22.8	M32 x 1	26.0	34.3	36	62	14.6	43.0	63.0
24	25.4	M36 x 1	34.5	38.3	39	67	14.6	46.4	68.0
28	28.3	M39 x 1	34.5	41.2	46	67	14.6	53.0	69.0
32	35.0	M45 x 1	43.6	48.3	52	72	14.6	60.0	76.5
36	40.5	M52 x 1	43.6	55.0	58	75	15.5	66.2	78.5
40	48.0	M59 x 1	52.6	62.0	65	78	15.5	72.3	83.0

B

TABLE II: MODIFICATION CODES

CONTACT OPTIONS	
Sym	Description
B0	Connector Less Contacts
B1	Connector with Gold Plated Contacts
Omit for standard version (Silver plated)	
FINISH OPTIONS	
Sym	Description and RoHS compliant (*)
F2	Bright Nickel Plating (*)
F6	Black Electrodeposited Paint (*)
F7	Black Zn-Co Plating (*)
F8	Olive Drab Zn-Co Plating
F11	Electroless Nickel (*)
Omit for standard version (Cadmium Olive Drab Finish)	