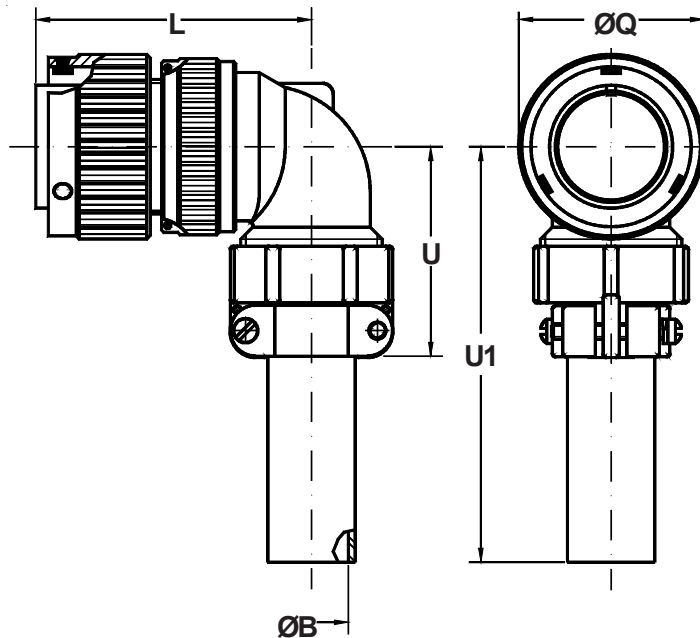
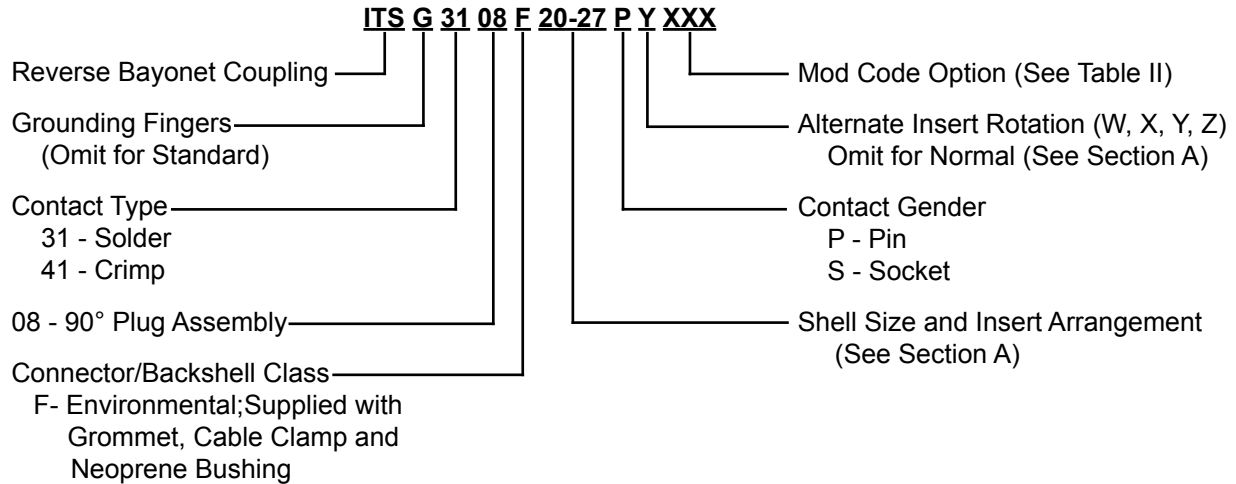


ITS 3108 (F) and ITS 4108 (F)

Cylindrical Plug Assembly with 90° Backshell with Class A IT3057 Cable Clamp and Neoprene Bushing



Application Notes:

1. 90° plug assembly with an insulating grommet, environmental backshell, class A IT3057 cable clamp for individual wires and neoprene bushing.
2. Connector/Backshell Class "F" (environmental)—Wire sealing grommet supplied.
3. Standard materials configuration consists of aluminum. For platings, see TABLE II finish options.
4. Standard contact material consists of copper alloy with silver plating or gold plating.
5. A broad range of additional connector accessories are available.
See our website and/or contact the factory for complete information.
6. Standard insert material is synthetic rubber.
Add "FR" prefix to front of part number to specify fire resistant inserts

**ITS 3108 (F) and ITS 4108 (F)
Cylindrical Plug Assembly with 90° Backshell
with Class A IT3057 Cable Clamp and Neoprene Bushing**



TABLE I: DIMENSIONS

Shell Size	ØB ±0.1	L Max.	ØQ ±0.2	U Max.	U1 Max.
10 SL	5.58	40	22.6	36.0	105
14 S	7.92	42	29.0	38.5	105
16 S	11.09	46	31.6	41.0	105
16	11.09	55	31.6	41.0	105
18	14.27	57	36.2	50.0	112
20	15.87	62	39.8	48.0	105
22	15.87	62	43.0	48.0	105
24	19.05	67	46.4	54.0	107
28	19.05	67	53.0	55.0	107
32	23.79	72	60.0	64.5	115
36	31.75	75	66.2	67.2	115
40	34.92	78	72.3	91.0	135

B

TABLE II: MODIFICATION CODES

CONTACT OPTIONS	
Sym	Description
B0	Connector Less Contacts
B1	Connector with Gold Plated Contacts
Omit for standard version (Silver plated)	
FINISH OPTIONS	
Sym	Description and RoHS compliant (*)
F2	Bright Nickel Plating (*)
F6	Black Electrodeposited Paint (*)
F7	Black Zn-Co Plating (*)
F8	Olive Drab Zn-Co Plating
F11	Electroless Nickel (*)
Omit for standard version (Cadmium Olive Drab Finish)	