

ITS 3108 A (BR) and ITS 4108 A (BR) Cylindrical Plug Assembly with 90° Backshell for Termination of UNI4883 Rubber Conduits

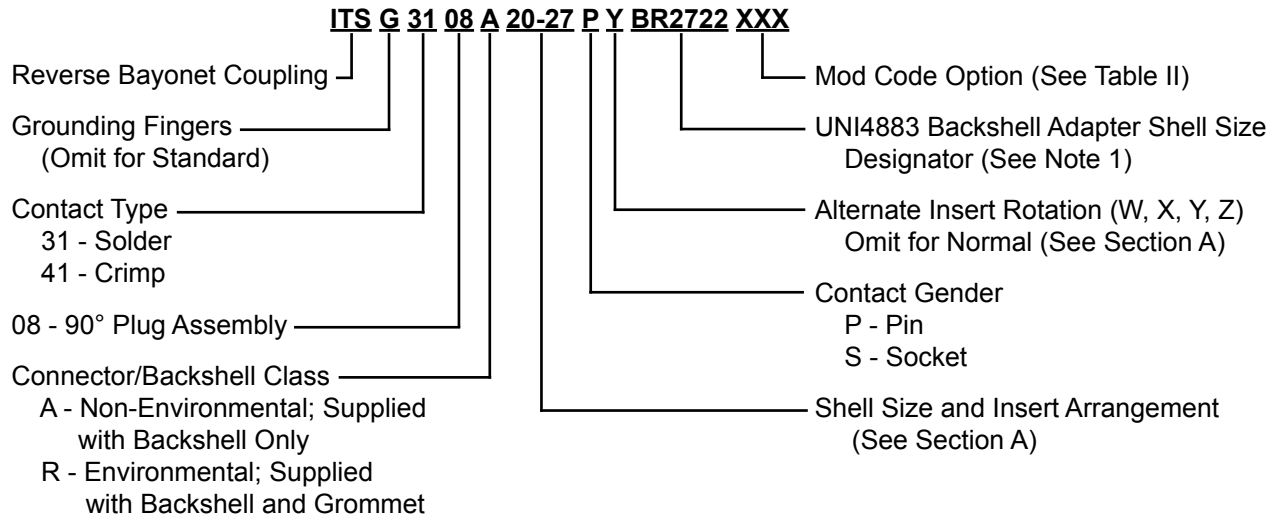
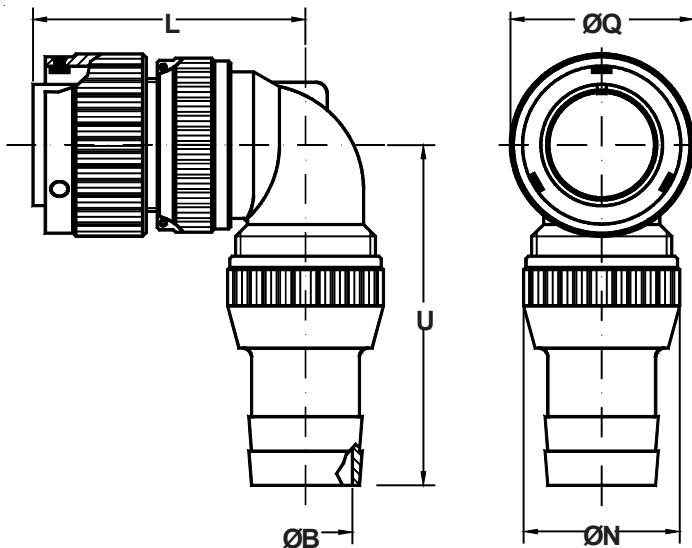


TABLE II: MODIFICATION CODES

CONTACT OPTIONS	
Sym	Description
B0	Connector Less Contacts
B1	Connector with Gold Plated Contacts
Omit for standard version (Silver plated)	
FINISH OPTIONS	
Sym	Description and RoHS compliant (*)
F2	Bright Nickel Plating (*)
F6	Black Electrodeposited Paint (*)
F7	Black Zn-Co Plating (*)
F8	Olive Drab Zn-Co Plating
F11	Electroless Nickel (*)
Omit for standard version (Cadmium Olive Drab Finish)	



Application Notes:

1. 90° plug assembly with backshell for termination of UNI4883 type rubber conduit.
2. Connector/Backshell Class "A" (non-environmental)—Not supplied with wire sealing grommet;
Class "R" (environmental)—Supplied with backshell and grommet.
3. Standard materials configuration consists of aluminum alloy. For platings, see TABLE II finish options.
4. Standard contact material consists of copper alloy or gold plating.
5. A broad range of other front and rear connector accessories are available.
See our website and/or contact the factory for complete information.
6. Standard insert material is synthetic rubber.
Add "FR" prefix to front of part number to specify fire resistant inserts

**ITS 3108 A (BR) and ITS 4108 A (BR)
Cylindrical Plug Assembly with 90° Backshell
for Termination of UNI4883 Rubber Conduits**

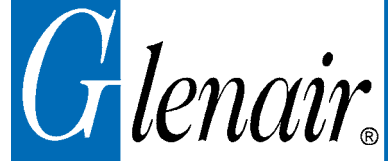


TABLE I: DIMENSIONS

Shell Size	ØB ±0.1	L Max.	ØQ ±0.2	U Max.
10 SL	See Table below	90.0	22.6	75.0
18		103.0	36.2	80.0
20		103.0	39.8	82.0
22		103.0	43.0	82.0
24		104.5	46.4	87.0
28		111.0	53.0	88.0
32		116.5	60.0	95.5
36		122.0	66.2	97.2
40		122.0	72.3	102.0

TABLE III: BACKSHELL DIMENSIONS

Shell Size	Rubber tube in accordance with UNI 4883 to be used by size:		ØB ±0.1	ØQ ±0.2	
	Ø Min	Ø Max			
10SL	12.0	17.0	10.5		
18	22.0	27.0	20.5		
20 - 22	12.0	17.0	10.5		
20 - 22	22.0	27.0	20.5		
20 - 22	28.0	33.0	31.5		
24 - 28	20.0	25.0	16.5		
24 - 28	22.0	27.0	20.5		
24 - 28	26.0	31.0	22.5		
24 - 28	28.0	33.0	26.5		
24 - 28	30.0	35.0	26.5		
24 - 28	33.0	38.0	31.5	24.5	53.0
24 - 28	45.0	50.0	36.2	26.5	53.0
32	26.0	31.0	24.5	31.5	53.0
32	28.0	33.0	26.5	31.5	53.0
32	33.0	38.0	31.5	40.0	53.0
32	35.0	40.0	31.5	26.5	57.4
32	45.0	50.0	40.0	31.5	57.4
36	30.0	35.0	26.5	31.5	57.4
36	33.0	38.0	31.5	43.5	57.4
36	35.0	40.0	31.5		
36	45.0	50.0	43.5		
40	36.0	41.0	31.5	63.0	
40	40.0	45.0	38.5	63.0	
40	45.0	50.0	43.5	63.0	
40	50.0	55.0	48.5	63.0	

