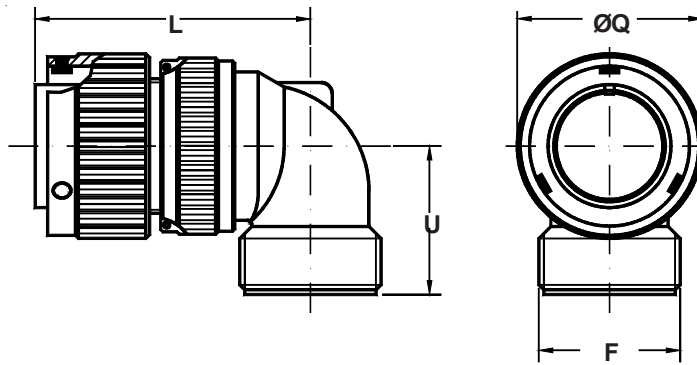


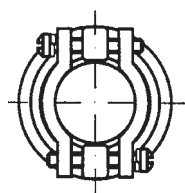
ITS 3108 (A) and ITS 3108 (R) ITS 4108 (A) and ITS 4108 (R) Cylindrical Plug Assembly with 90° Backshell

ITS G 31 08 A 20-27 P Y XXX

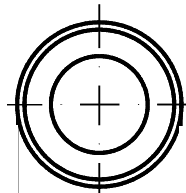
Reverse Bayonet Coupling	Mod Code Option (See Table II)
Grounding Fingers (Omit for Standard)	Alternate Insert Rotation (W, X, Y, Z) Omit for Normal (See Section A)
Contact Type 31 - Solder 41 - Crimp	Contact Gender P - Pin S - Socket
08 - 90° Plug Assembly	Shell Size and Insert Arrangement (See Section A)
Connector/Backshell Class A - Non-Environmental; Supplied with Backshell Only R - Environmental; Supplied with Backshell and Grommet	



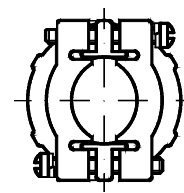
Order Cable Clamps and Sleeves Separately or Use Mod Codes (Table II) to Add Clamp to This Assembly.



**IT 3057 C
Cable Clamp**



**IT 3420
Neoprene Sleeve**



**IT 3057 A
Cable Clamp**

Application Notes:

- 90° plug assembly with backshell for the attachment of strain relief cable clamps.
- Connector/Backshell Class "A" (non-environmental)—Not supplied with wire sealing grommet; Class "R" (environmental)—Supplied with backshell and grommet.
- Standard materials configuration consists of aluminum alloy. For platings, see TABLE II finish options.
- Standard contact material consists of copper alloy with silver plating or gold plating.
- A broad range of other front and rear connector accessories are available. See our website and/or contact the factory for complete information.
- Standard insert material is synthetic rubber. Add "FR" prefix to front of part number to specify fire resistant inserts

ITS 3108 (A) and ITS 3108 (R)
 ITS 4108 (A) and ITS 4108 (R)
 Cylindrical Plug Assembly with 90° Backshell



TABLE I: DIMENSIONS

Shell Size	F Thread	L Max.	ØQ ±0.2	U ±0.2
10 SL	0.6250 - 24UNEF	40	22.6	25.0
14 S	0.7500 - 20UNEF	42	29.0	26.5
16 S	0.8750 - 20UNEF	46	31.6	27.0
16	0.8750 - 20UNEF	55	31.6	27.0
18	1.0000 - 20UNEF	57	36.2	30.0
20	1.1875 - 18UNEF	62	39.8	32.0
22	1.1875 - 18UNEF	62	43.0	32.0
24	1.4375 - 18UNEF	67	46.4	37.0
28	1.4375 - 18UNEF	67	53.0	38.0
32	1.7500 - 18UNS	72	60.0	45.5
36	2.0000 - 18UNS	75	66.2	47.2
40	2.2500 - 16UN	78	72.3	52.0

TABLE II: MODIFICATION CODES

CONTACT OPTIONS		ACCESSORY OPTIONS	
Sym	Description		
B0	Connector Less Contacts	N1	Connector with IT 3057 A cable clamp
B1	Connector with Gold Plated Contacts	N2	Connector with long backshell
Omit for standard version (Silver plated)		N5	Connector with IT 3057 C cable clamp
FINISH OPTIONS		N12	Connector with IT 3057 A cable clamp and IT 3420 neoprene sleeve
Sym	Description and RoHS compliant (*)	Omit for standard version	
F2	Bright Nickel Plating (*)		
F6	Black Electrodeposited Paint (*)		
F7	Black Zn-Co Plating (*)		
F8	Olive Drab Zn-Co Plating		
F11	Electroless Nickel (*)		
	Omit for standard version (Cadmium Olive Drab Finish)		