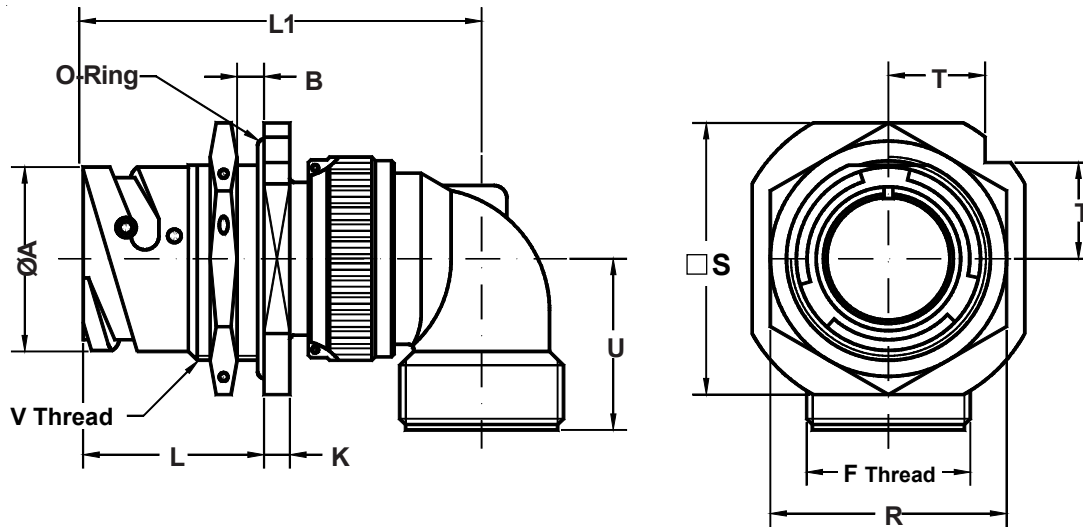


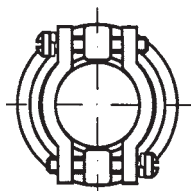
ITS 31078 (A) and ITS 31078 (R)
ITS 41078 (A) and ITS 41078 (R)
Rear Panel Mount Jam Nut Receptacle
with 90° Backshell for the Attachment of Additional Accessories

ITS 31 078 A 20-27 P Y XXX

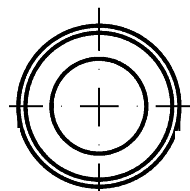
Reverse Bayonet Coupling	Mod Code Option (See Table II)
Contact Type 31 - Solder 41 - Crimp	Alternate Insert Rotation (W, X, Y, Z) Omit for Normal (See Section A)
078 - Rear Wall Mount Jam Nut Receptacle with 90° Backshell	Contact Gender P - Pin S - Socket
Connector/Backshell Class A - Non-Environmental with 90° Backshell R - Environmental with 90° Backshell and Wire Sealing Grommet	Shell Size and Insert Arrangement (See Section A)



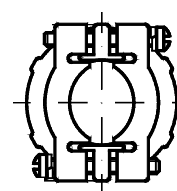
Order Cable Clamps and Sleeves Separately or Use Mod Codes (Table II) to Add Clamp to This Assembly.



IT 3057 C
Cable Clamp



IT 3420
Neoprene Sleeve



IT 3057 A
Cable Clamp

Application Notes:

- Rear panel mount jam nut receptacle with 90° backshell.
- Connector/Backshell Class "A" (non-environmental)—Not supplied with wire sealing grommet; Class "R" (environmental)—Supplied with 90° backshell and grommet.
- Standard materials configuration consists of aluminum alloy. For platings, see TABLE II finish options.
- Standard contact material consists of copper alloy with silver plating or gold plating.
- A broad range of additional connector accessories are available. Contact the factory for complete information.
- Standard insert material is synthetic rubber.
Add "FR" prefix to front of part number to specify fire resistant inserts.

**ITS 31078 (A) and ITS 31078 (R)
ITS 41078 (A) and ITS 41078 (R)
Rear Panel Mount Jam Nut Receptacle
with 90° Backshell for the Attachment of Additional Accessories**



Series ITS

TABLE I: DIMENSIONS

Shell Size	ØA +0 -0.1	B		F Thread	K ±0.2	L ±0.1	L1 Max.	R Key	S +0.2	T	U ±0.2	V Thread
		Min.	Max.									
10 SL	18.2	2.4	5.2	0.6250 - 24UNEF	4.0	24.5	50	27	31.8	11.2	25.0	0.8750 - 20UNEF
14 S	24.5	2.4	7.5	0.7500 - 20UNEF	4.8	26.8	55	33	41.3	14.6	26.5	1.1250 - 18UNEF
16 S	27.2	2.4	7.5	0.8750 - 20UNEF	4.8	26.8	58	38	44.4	15.7	27.0	1.2500 - 18UNEF
16	27.2	2.4	7.5	0.8750 - 20UNEF	4.8	32.2	68	38	44.4	15.7	27.0	1.2500 - 18UNEF
18	30.7	2.4	9.0	1.0000 - 20UNEF	4.8	33.7	70	40	47.6	16.8	30.0	1.3750 - 18 UNEF
20	34.0	2.4	9.0	1.1875 - 18UNEF	4.8	33.7	75	44	50.8	18.0	32.0	1.5000 - 18UNEF
22	37.3	2.4	9.1	1.1875 - 18UNEF	4.8	33.7	75	46	54.2	20.2	32.0	1.6250 - 18UNEF
24	40.9	2.4	9.1	1.4375 - 18UNEF	4.8	33.7	79	51	57.2	20.2	37.0	1.7500 - 18UNS
28	46.7	2.4	8.5	1.4375 - 18UNEF	5.6	35.2	81	55	63.5	22.5	38.0	2.0000 - 18UNS
32	53.4	2.4	6.5	1.7500 - 18UNS	5.6	35.2	85	62	69.8	24.7	45.5	2.2500 - 16UN
36	59.6	2.4	8.3	2.0000 - 18UNS	5.6	35.2	88	71	76.2	26.9	47.2	2.5000 - 16UN
40	65.5	2.4	8.3	2.2500 - 16UN	5.6	35.2	91	75	83.5	29.6	52.0	2.7500 - 16UN

B

TABLE II: MODIFICATION CODES

CONTACT OPTIONS		ACCESSORY OPTIONS	
Sym	Description		
B0	Connector Less Contacts	N1	Connector with IT 3057 A cable clamp
B1	Connector with Gold Plated Contacts	N2	Connector with long backshell
Omit for standard version (Silver plated)		N5	Connector with IT 3057 C cable clamp
FINISH OPTIONS		N12	Connector with IT 3057 A cable clamp and IT 3420 neoprene sleeve
Sym	Description and RoHS compliant (*)	Omit for standard version	
F2	Bright Nickel Plating (*)		
F6	Black Electrodeposited Paint (*)		
F7	Black Zn-Co Plating (*)		
F8	Olive Drab Zn-Co Plating		
F11	Electroless Nickel (*)		
	Omit for standard version (Cadmium Olive Drab Finish)		