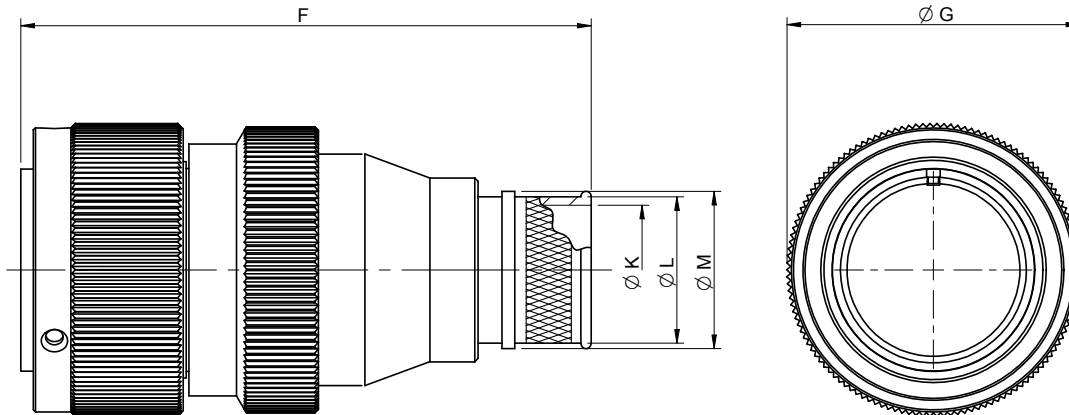


ITS G 31 06 A 20-27 P Y ZLF XXX

Reverse Bayonet Coupling	ITS	Mod Code Option (See Table II)
Grounding Finger (Omit for Standard)	G	BAND-IT Backshell
Contact Type 31 - Solder 41 - Crimp	31	Alternate Insert Rotation (W, X, Y, Z) Omit for Normal (See Section A)
06 - Straight Plug	06	Contact Gender P - Pin S - Socket
Connector/Backshell Class A - Non-environmental; Supplied with Backshell only R - Environmental; Supplied with Backshell and Grommet	A	Shell Size and Insert Arrangement (See Section A)
	20-27	
	P	
	Y	
	ZLF	
	XXX	


Application Notes:

1. Straight cylindrical plug assembly with backshell for attachment of BAND-IT® EMI/RFI Shield Termination Bands.
2. Connector/Backshell Class "A" (non-environmental)—Not supplied with wire sealing grommet; Class "R" (environmental)—Supplied with backshell and grommet.
3. Standard materials configuration consists of aluminum alloy. For platings, see TABLE II finish options.
4. Standard contact material consists of copper alloy with silver plating or gold plating.
5. A broad range of additional connector accessories are available. See our website and/or contact the factory for complete information.
6. Standard insert material is synthetic rubber. Add "FR" prefix to front of part number to specify fire resistant inserts.

ITS 3106 A (ZLF) and ITS 4106 A (ZLF)
Straight Cylindrical Plug Assembly
with EMI/RFI Banding Backshell



TABLE I: DIMENSIONS

SIZE	F (max)	G (±0.2)
10SL	69	22.6
14S	76	29
16S	76	31.6
16	91	31.6
18	91	36.2
20	92	39.8
22	92	43
24	93	46.4
28	100	53
32	105	60
36	111	66.2
40	111	72.3

TABLE II: MODIFICATION CODES

CONTACT OPTIONS	
Sym	Description
B0	Connector Less Contacts
B1	Connector with Gold Plated Contacts
Omit for standard version (Silver plated)	
FINISH OPTIONS	
Sym	Description and RoHS compliant (*)
F2	Bright Nickel Plating (*)
F6	Black Electrodeposited Paint (*)
F7	Black Zn-Co Plating (*)
F8	Olive Drab Zn-Co Plating
F11	Electroless Nickel (*)
Omit for standard version (Cadmium Olive Drab Finish)	

TABLE III: ENTRY SIZE TABLE

Entry size	ØK	ØL	ØM
01	3.2	6.4	7.9
02	4.8	7.9	9.5
03	6.4	9.5	11.1
04	7.9	11.1	12.7
05	9.5	12.7	14.3
06	11.1	14.3	15.8
07	12.7	15.9	17.4
08	14.3	17.5	19.1
09	15.9	19.1	20.6
10	17.5	20.6	22.2
11	19.1	22.2	23.8
12	20.6	23.8	25.4
13	22.2	25.4	27.0
14	23.8	27.0	28.5
15	25.4	28.6	30.1
16	27.0	30.2	31.8
17	28.6	31.8	33.3
18	31.8	34.9	36.5
19	34.9	38.1	39.7
20	38.1	41.3	42.8
21	41.3	44.5	46.0
22	44.5	47.6	49.2
23	47.6	50.8	52.4
24	50.8	54.0	55.5