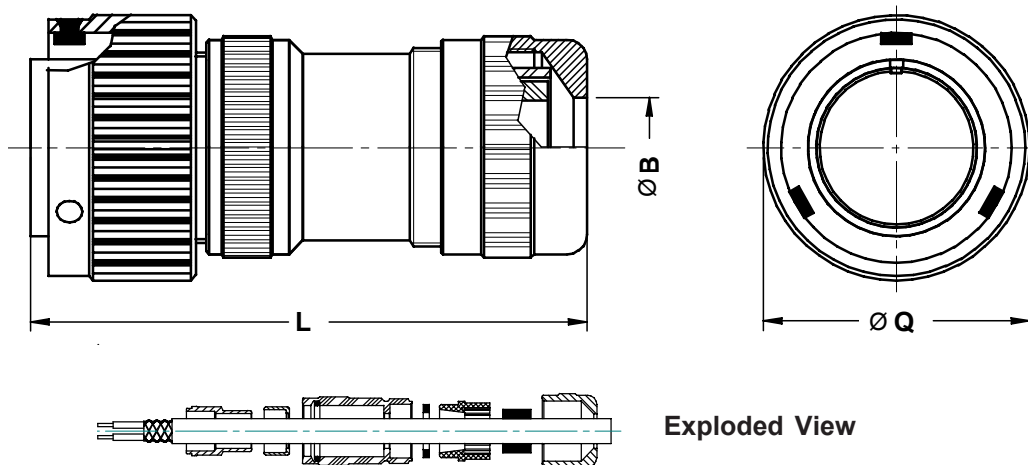


ITS 3106 A (PHM-EMI67) and ITS 4106 A (PHM-EMI67) Straight Cylindrical Plug Assembly with EMI/RFI and Environmental PHM Backshell

ITS G 31 06 A 20-27 P Y PHM11EMI67 XXX

Reverse Bayonet Coupling	Mod Code Option (See Table II)
Grounding Fingers (Omit for Standard)	PHM Size
Contact Type 31 - Solder 41 - Crimp	Alternate Insert Rotation (W, X, Y, Z) Omit for Normal (See Section A)
06 - Straight Plug	Contact Gender P - Pin S - Socket
Connector/Backshell Class A - Non-Environmental; Supplied with Backshell Only	Shell Size and Insert Arrangement (See Section A)



Exploded View

Application Notes:

1. Straight plug with an EMI/RFI PHM. IP67 when used with correct neoprene sealing bushing.
2. Connector/Backshell Class "A" (non-environmental)—No grommet supplied.
3. Standard materials configuration consists of aluminum alloy. For platings, see TABLE II finish options.
4. Standard contact material consists of copper alloy with silver plating or gold plating.
5. A broad range of metric connector accessories are available.
See our website and/or contact the factory for complete information.
6. Standard insert material is synthetic rubber.
Add "FR" prefix to front of part number to specify fire resistant inserts

TABLE I: DIMENSIONS

Shell Size	PHM Size	ØB	L	ØQ
		Min. – Max.	Max.	±0.2
10 SL	11	2-11	70	22.6
14 S	11	2-11	70	29.0
16 S	11	2-11	70	31.6
16	11	2-11	80	31.6
18	11 / 18	2-11 / 2-16.5	80	36.2
20	11 / 18	2-11 / 2-16.5	80	39.8
22	18	2-16.5	80	43.0
24	18 / 22 / 24	2-16.5 / 15-20 / 19-24	90	46.4
28	18 / 22 / 24	2-16.5 / 15-20 / 19-24	90	53.0
32	22 / 24	15-20 / 19-24	90	60.0
36	35	23-35	105	66.2
40	35	23-35	105	72.3

B

TABLE II: MODIFICATION CODES

CONTACT OPTIONS	
Sym	Description
B0	Connector Less Contacts
B1	Connector with Gold Plated Contacts
Omit for standard version (Silver plated)	
FINISH OPTIONS	
Sym	Description and RoHS compliant (*)
F2	Bright Nickel Plating (*)
F6	Black Electrodeposited Paint (*)
F7	Black Zn-Co Plating (*)
F8	Olive Drab Zn-Co Plating
F11	Electroless Nickel (*)
Omit for standard version (Cadmium Olive Drab Finish)	