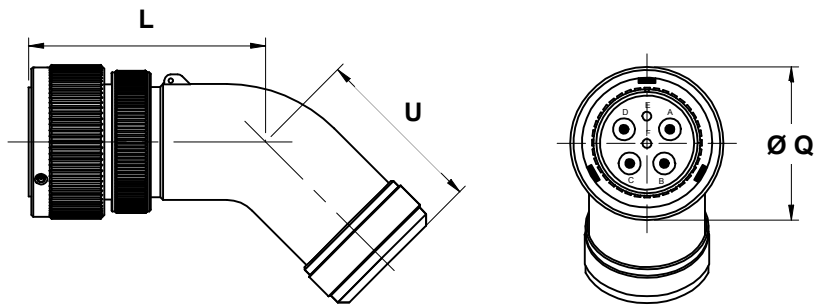
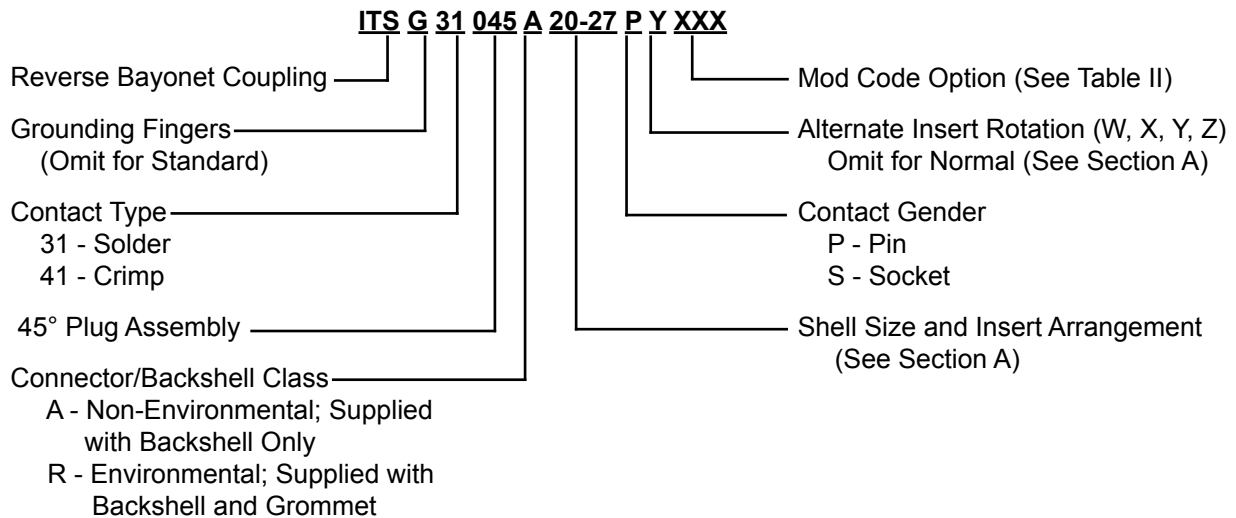
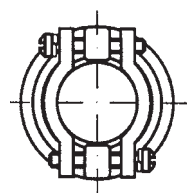


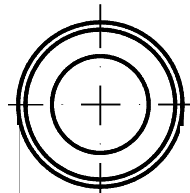
ITS 31045 (A) and ITS 31045 (R) ITS 41045 (A) and ITS 41045 (R) Cylindrical Plug Assembly with 45° Backshell



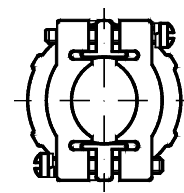
Order Cable Clamps and Sleeves Separately or Use Mod Codes (Table II) to Add Clamp to This Assembly.



IT 3057 C
Cable Clamp



IT 3420
Neoprene Sleeve



IT 3057 A
Cable Clamp

Application Notes:

- 45° plug assembly with backshell for the attachment of strain relief cable clamps.
- Connector/Backshell Class "A" (non-environmental)—Not supplied with wire sealing grommet; Class "R" (environmental)—Supplied with backshell and grommet.
- Standard materials configuration consists of aluminum alloy. For platings, see TABLE II finish options.
- Standard contact material consists of copper alloy with silver plating or gold plating.
- A broad range of other front and rear connector accessories are available. See our website and/or contact the factory for complete information.
- Standard insert material is synthetic rubber. Add "FR" prefix to front of part number to specify fire resistant inserts

ITS 31045 (A) and ITS 31045 (R)
ITS 41045 (A) and ITS 41045 (R)
Cylindrical Plug Assembly with 45° Backshell



TABLE I: DIMENSIONS

Shell Size	F Thread	L Max.	ØQ ±0.2	U ±0.2
16 S	0.8750 - 20UNEF	55.0	31.6	24.6
16	0.8750 - 20UNEF	64.0	31.6	24.6
18	1.0000 - 20UNEF	68.0	36.2	27.0
20	1.1875 - 18UNEF	73.0	39.8	28.6
22	1.1875 - 18UNEF	73.0	43.0	36.0
24	1.4375 - 18UNEF	81.0	46.4	44.3

For further sizes, please contact the factory.

TABLE II: MODIFICATION CODES

CONTACT OPTIONS		ACCESSORY OPTIONS	
Sym	Description		
B0	Connector Less Contacts	N1	Connector with IT 3057 A cable clamp
B1	Connector with Gold Plated Contacts	N2	Connector with long backshell
Omit for standard version (Silver plated)		N5	Connector with IT 3057 C cable clamp
FINISH OPTIONS		N12	Connector with IT 3057 A cable clamp and IT 3420 neoprene sleeve
Sym	Description and RoHS compliant (*)	Omit for standard version	
F2	Bright Nickel Plating (*)		
F6	Black Electrodeposited Paint (*)		
F7	Black Zn-Co Plating (*)		
F8	Olive Drab Zn-Co Plating		
F11	Electroless Nickel (*)		
	Omit for standard version (Cadmium Olive Drab Finish)		