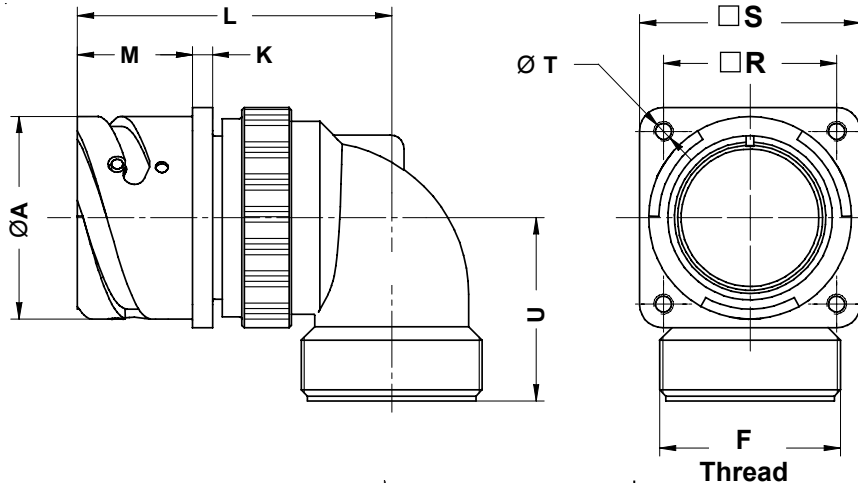


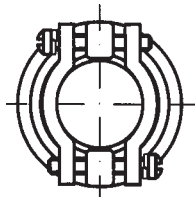
ITS 31038 (A) and ITS 31038 (R)
ITS 41038 (A) and ITS 41038 (R)
 Rear Panel Mount Square Flange Receptacle Assembly
 with 90° Backshell for the Attachment of Additional Accessories

ITS 31 038 A FP 20-27 P Y XXX

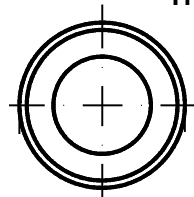
Reverse Bayonet Coupling	Mod Code Option (See Table II)
Contact Type 31 - Solder 41 - Crimp	Alternate Insert Rotation (W, X, Y, Z) Omit for Normal (See Section A)
038 - Rear Wall Mount with 90° Backshell	Contact Gender P - Pin S - Socket
Connector/Backshell Class A - Non-Environmental; Supplied with 90° Backshell Only R - Environmental; Supplied with 90° Backshell and Grommet	Shell Size and Insert Arrangement (See Section A)
	Mounting Holes FP - Non-Threaded Through Mounting OMIT - For Std. (Threaded) Mounting



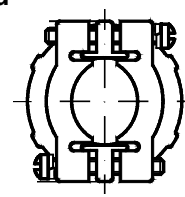
Order Cable Clamps and Sleeves Separately or Use Mod Codes (Table II) to Add Clamp to This Assembly.



IT 3057 C
Cable Clamp



IT 3420
Neoprene Sleeve



IT 3057 A
Cable Clamp

Application Notes:

- Rear panel mount square flange receptacle with 90° backshell. Threaded mounting holes. Optional non-threaded mounting holes available.
- Connector/Backshell Class "A" (non-environmental)—Not supplied with wire sealing grommet; Class "R" (environmental)—Supplied with 90° backshell and grommet.
- Standard materials configuration consists of aluminum alloy. For platings, see TABLE II finish options.
- Standard contact material consists of copper alloy with silver plating or gold plating.
- A broad range of additional connector accessories are available. See our website and/or contact the factory for complete information.
- Standard insert material is synthetic rubber. Add "FR" prefix to front of part number to specify fire resistant inserts.

**ITS 31038 (A) and ITS 31038 (R)
ITS 41038 (A) and ITS 41038 (R)**
Rear Panel Mount Square Flange Receptacle Assembly
with 90° Backshell for the Attachment of Additional Accessories



TABLE I: DIMENSIONS

Shell Size	ØA +0 -0.1	F Thread	K ±0.2	L Max.	U ±0.2	M +0.2 -0	R ±0.1	S +0.2	T Thread
10 SL	18.2	0.6250 - 24UNEF	2.8	42	25.0	18.5	18.25	25.4	M4
14 S	24.5	0.7500 - 20UNEF	3.3	44	26.5	18.5	23.00	30.4	M4
16 S	27.2	0.8750 - 20UNEF	3.3	48	27.0	18.5	24.60	32.5	M4
16	27.2	0.8750 - 20UNEF	3.3	57	27.0	23.2	24.60	32.5	M4
18	30.7	1.0000 - 20UNEF	4.0	59	30.0	23.2	27.00	35.0	M4
20	34.0	1.1875 - 18UNEF	4.0	64	32.0	23.2	29.40	38.0	M4
22	37.3	1.1875 - 18UNEF	4.0	64	32.0	23.2	31.75	41.0	M4
24	40.9	1.4375 - 18UNEF	4.0	69	37.0	23.2	34.90	44.5	M4
28	46.7	1.4375 - 18UNEF	4.0	69	38.0	24.4	39.70	50.9	M5
32	53.4	1.7500 - 18UNS	4.0	74	45.5	24.2	44.45	57.0	M5
36	59.6	2.0000 - 18UNS	4.0	77	47.2	24.2	49.20	63.5	M5
40	65.5	2.2500 - 16UN	4.0	80	52.0	24.4	55.55	69.9	M5

B

TABLE II: MODIFICATION CODES

CONTACT OPTIONS		ACCESSORY OPTIONS	
Sym	Description		
B0	Connector Less Contacts	N1	Connector with IT 3057 A cable clamp
B1	Connector with Gold Plated Contacts	N2	Connector with long backshell
Omit for standard version (Silver plated)		N5	Connector with IT 3057 C cable clamp
FINISH OPTIONS		N12	Connector with IT 3057 A cable clamp and IT 3420 neoprene sleeve
Omit for standard version (Cadmium Olive Drab Finish)		Omit for standard version	
Sym	Description and RoHS compliant (*)		
F2	Bright Nickel Plating (*)		
F6	Black Electrodeposited Paint (*)		
F7	Black Zn-Co Plating (*)		
F8	Olive Drab Zn-Co Plating		
F11	Electroless Nickel (*)		