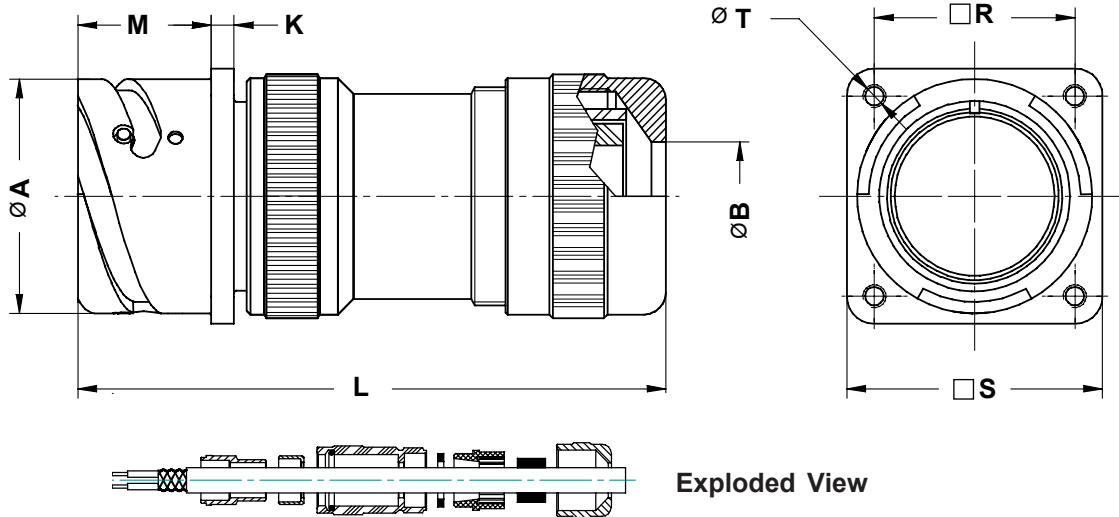


ITS 31030 A (PHM-EMI67) and ITS 41030 A (PHM-EMI67) Rear Panel Mount Square Flange Receptacle Assembly with EMI/RFI and Environmental PHM Cable Clamp

ITS 31 030 A FP 20-27 P Y PHM11EM167 XXX

Reverse Bayonet Coupling	Mod Code Option (See Table II)
Contact Type 31 - Solder 41 - Crimp	PHM Size
030 - Rear Wall Mount	Alternate Insert Rotation (W, X, Y, Z) Omit for Normal (See Section A)
Connector/Backshell Class A - Non-Environmental; Supplied with Backshell Only	Contact Gender P - Pin S - Socket
Mounting Holes FP - Non-Threaded Through Mounting Holes OMIT - For Standard (Threaded) Mounting Holes	Shell Size and Insert Arrangement (See Section A)



Exploded View

Application Notes:

1. Rear panel mount square flange receptacle with an EMI/RFI PHM backshell. Threaded mounting holes. Optional non-threaded mounting holes available.
2. Connector/Backshell Class "A" (non-environmental)—No grommet supplied.
3. Standard materials configuration consists of aluminum alloy. For platings, see TABLE II finish options.
4. Standard contact material consists of copper alloy with silver plating or gold plating.
5. A broad range of metric connector accessories are available. See our website and/or contact the factory for complete information.
6. Standard insert material is synthetic rubber. Add "FR" prefix to front of part number to specify fire resistant inserts.

ITS 31030 A (PHM-EMI67) and ITS 41030 A (PHM-EMI67)
Rear Panel Mount Square Flange Receptacle Assembly
with EMI/RFI and Environmental PHM Cable Clamp



TABLE I: DIMENSIONS

Shell Size	PHM Size	ØA +0 -0.1	ØB min. – Max.	K ±0.2	L Max.	M +0.2 -0	R ±0.1	S +0.2	T Thread
10 SL	11	18.2	2-11	2.8	75	18.5	18.25	25.4	M4
14 S	11	24.5	2-11	3.3	75	18.5	23.00	30.4	M4
16 S	11	27.2	2-11	3.3	75	18.5	24.60	32.5	M4
16	11	27.2	2-11	3.3	85	23.2	24.60	32.5	M4
18	11 / 18	30.7	2-11 / 2-16.5	4.0	85	23.2	27.00	35.0	M4
20	11 / 18	34.0	2-11 / 2-16.5	4.0	85	23.2	29.40	38.0	M4
22	18	37.3	2-16.5	4.0	85	23.2	31.75	41.0	M4
24	18 / 22 / 24	40.9	2-16.5 / 15-20 / 19-24	4.0	95	23.2	34.90	44.5	M4
28	18 / 22 / 24	46.7	2-16.5 / 15-20 / 19-24	4.0	95	24.4	39.70	50.9	M5
32	22 / 24	53.4	15-20 / 19-24	4.0	95	24.2	44.45	57.0	M5
36	Contact the factory for information								
40									

B

TABLE II: MODIFICATION CODES

CONTACT OPTIONS	
Sym	Description
B0	Connector Less Contacts
B1	Connector with Gold Plated Contacts
Omit for standard version (Silver plated)	
FINISH OPTIONS	
Sym	Description and RoHS compliant (*)
F2	Bright Nickel Plating (*)
F6	Black Electrodeposited Paint (*)
F7	Black Zn-Co Plating (*)
F8	Olive Drab Zn-Co Plating
F11	Electroless Nickel (*)
Omit for standard version (Cadmium Olive Drab Finish)	