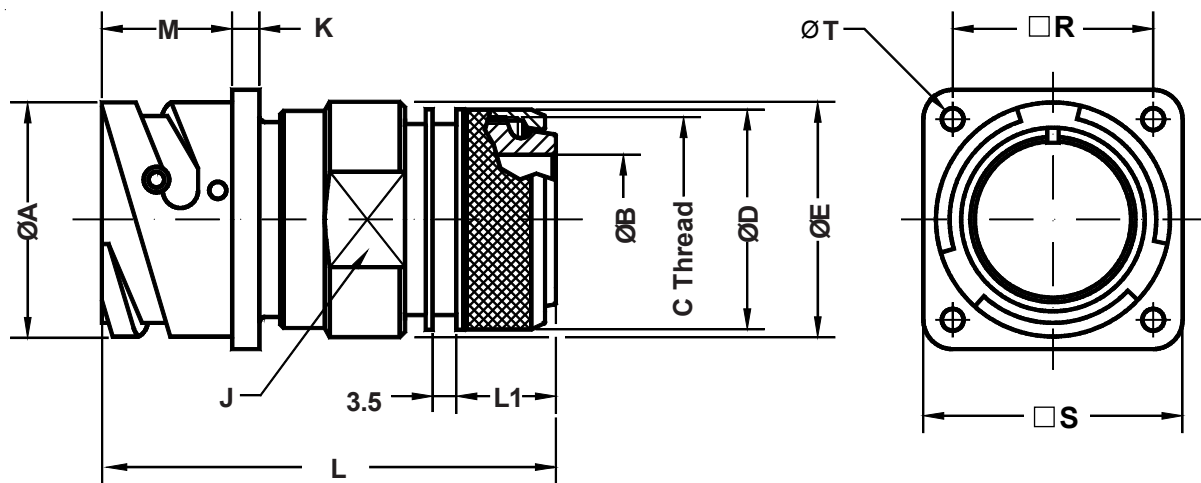
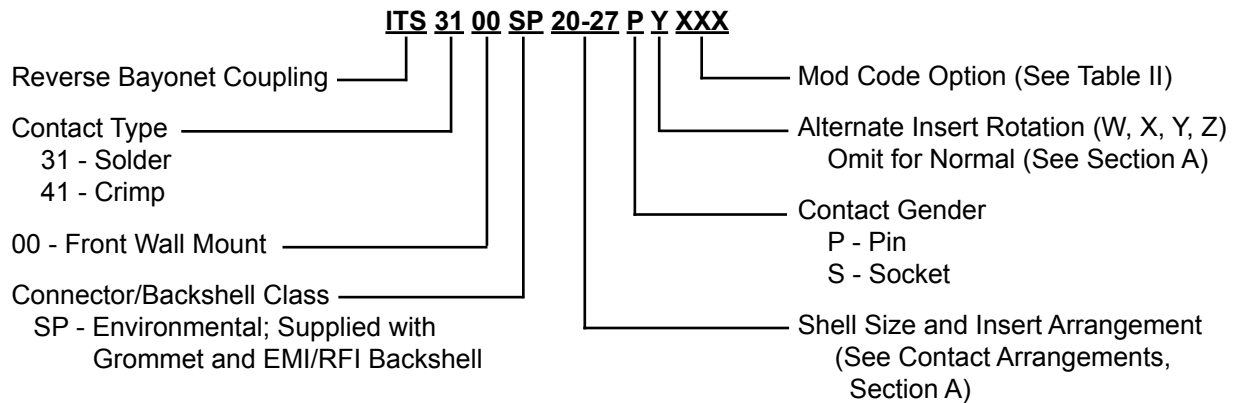


## ITS 3100 (SP) and ITS 4100 (SP) Front Panel Mount Square Flange Receptacle Assembly with Backshell for EMI/RFI Shield Termination



### Application Notes:

1. Front panel mount square flange receptacle with EMI/RFI shield termination backshell. Backshell features rotating coupling nut and a "braid-trap" for termination of braided shielding. Heat-shrink tubing may also be attached for additional environmental and mechanical protection. Through mounting holes.
2. Connector/Backshell Class "SP" (environmental)—Wire sealing grommet supplied.
3. Standard materials configuration consists of aluminum alloy. For platings, see TABLE II finish options.
4. Standard contact material consists of copper alloy with silver plating or gold plating.
5. A broad range of additional connector accessories are available. See our website and/or contact the factory for complete information.
6. Standard insert material is synthetic rubber. Add "FR" prefix to front of part number to specify fire resistant inserts.

**ITS 3100 (SP) and ITS 4100 (SP)**  
**Front Panel Mount Square Flange Receptacle Assembly**  
**with Backshell for EMI/RFI Shield Termination**



**TABLE I: DIMENSIONS**

Shell Size	ØA +0 -0.1	ØB Min.	C Thread	ØD ±0.2	ØE ±0.2	J Key	K ±0.2	L Max.	L1 Max.	M +0.2 -0	R ±0.1	S +0.2	ØT +0.1 -0
10 SL	18.2	8.5	M16 x 1	18.5	22.0	20	2.8	52.0	13.5	14.3	18.25	25.4	3.2
14 S	24.5	12.0	M20 x 1	22.3	25.0	23	3.3	52.0	13.5	14.5	23.00	30.4	3.2
16 S	27.2	14.5	M23 x 1	25.3	28.0	26	3.3	54.0	14.6	14.5	24.60	32.5	3.2
16	27.2	14.5	M23 x 1	25.3	28.0	26	3.3	63.0	14.6	19.1	24.60	32.5	3.2
18	30.7	17.5	M26 x 1	28.0	30.0	28	4.0	64.5	14.6	19.1	27.00	35.0	3.2
20	34.0	19.5	M30 x 1	32.3	34.5	32	4.0	64.5	14.6	19.1	29.40	38.0	3.2
22	37.3	22.0	M32 x 1	34.3	38.0	36	4.0	64.5	14.6	19.6	31.75	41.0	3.2
24	40.9	25.0	M36 x 1	38.3	41.0	39	4.0	66.0	14.6	20.6	34.90	44.5	3.7
28	46.7	29.0	M39 x 1	41.2	48.0	46	4.0	66.0	14.6	20.7	39.70	50.9	3.7
32	53.4	34.0	M45 x 1	48.3	54.0	52	4.0	67.5	14.6	22.3	44.45	57.0	4.3
36	59.6	38.5	M52 x 1	55.0	61.0	58	4.0	68.0	15.5	22.3	49.20	63.5	4.3
40	65.5	48.0	M59 x 1	62.0	68.0	65	4.0	68.0	15.5	22.3	55.55	69.9	4.3



**TABLE II: MODIFICATION CODES**

CONTACT OPTIONS	
Sym	Description
B0	Connector Less Contacts
B1	Connector with Gold Plated Contacts
Omit for standard version (Silver plated)	
FINISH OPTIONS	
Sym	Description and RoHS compliant (*)
F2	Bright Nickel Plating (*)
F6	Black Electrodeposited Paint (*)
F7	Black Zn-Co Plating (*)
F8	Olive Drab Zn-Co Plating
F11	Electroless Nickel (*)
Omit for standard version (Cadmium Olive Drab Finish)	