

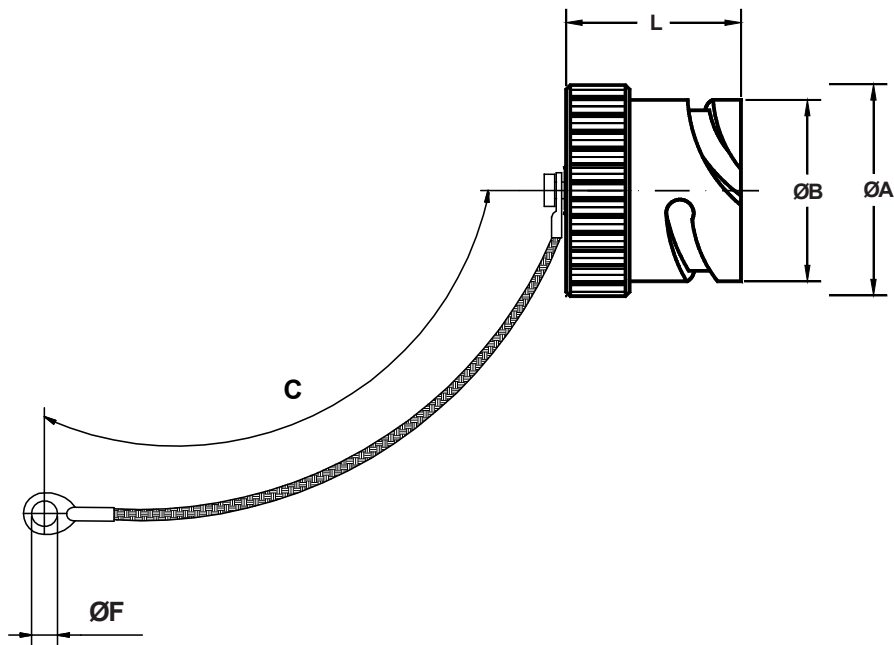
ITB 06TF-XX Plug Connector Cap with Stainless Steel Wire Rope

ITB 06TF-32 XX

MIL-DTL-5015 Compatible
Accessory

Basic Part Number
and Shell Size Designator
(Table I)

Finish Options
(Table II)



D

Application Notes:

1. Metal protective cover for bayonet plug connectors with stainless steel wire rope.
2. Standard materials configuration consists of aluminum alloy. For platings, see TABLE II finish options.
3. A broad range of other front and rear connector accessories are available.
See our website and/or contact the factory for complete information.

ITB 06TF-XX
Plug Connector Cap
with Stainless Steel Wire Rope

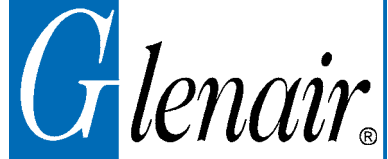


TABLE I: RECEPTACLE CONNECTOR CAP PART NUMBERS, CONNECTOR SIZE AND DIMENSIONS

Part Number	Connector Size	ØA Max	ØB ±0.1	C min	ØF +0.2 -0	L Max
ITB 06TF-10SL	10SL	22.7	18.2	193	4.3	24.0
ITB 06TF -14	14S	30.0	24.6	193	4.3	24.0
ITB 06TF -16	16S	32.5	27.4	193	4.3	24.0
ITB 06TF -17	16	32.5	27.4	193	4.3	33.0
ITB 06TF -18	18	36.4	30.8	193	4.3	33.0
ITB 06TF -20	20	40.5	34.2	193	4.8	33.0
ITB 06TF -22	22	43.5	37.4	193	4.8	33.0
ITB 06TF -24	24	46.5	40.9	193	4.8	33.0
ITB 06TF -28	28	54.0	46.7	193	4.8	33.0
ITB 06TF -32	32	60.0	53.4	193	5.6	34.2
ITB 06TF -36	36	66.2	59.6	193	5.6	34.2
ITB 06TF -40	40	73.0	65.5	193	5.6	34.2

TABLE II

FINISH OPTIONS	
Sym	Description and RoHS compliant (*)
F2	Bright Nickel Plating (*)
F6	Black Electrodeposited Paint (*)
F7	Black Zn-Co Plating (*)
F8	Olive Drab Zn-Co Plating
F11	Electroless Nickel (*)
	Omit for standard version (Cadmium Olive Drab Finish)

