

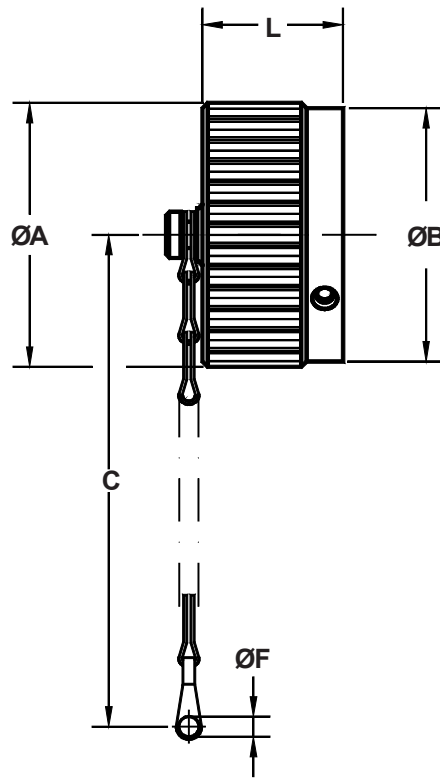
ITB 02T-XX Receptacle Connector Cap with Stainless Steel Chain

ITB 02T-32 XX

MIL-DTL-5015 Compatible
Accessory

Basic Part Number
and Shell Size Designator
(Table I)

Finish Options
(Table II)



Application Notes:

1. Metal protective cover for bayonet receptacle connectors with stainless steel chain.
2. Standard materials configuration consists of aluminum alloy. For platings, see TABLE II finish options.
3. A broad range of other front and rear connector accessories are available.
See our website and/or contact the factory for complete information.

ITB 02T-XX
Receptacle Connector Cap
with Stainless Steel Chain



TABLE I: RECEPTACLE CONNECTOR CAP PART NUMBERS, CONNECTOR SIZE AND DIMENSIONS

Part Number	Connector Size	ØA Max	ØB ±0.1	C min	ØF +0.2 -0	L Max
ITB 02T-10SL	10SL	22.7	22.4	108	4.3	15.5
ITB 02T-14	14S	29.1	28.8	108	4.3	15.5
ITB 02T-16	16S	32.5	31.6	108	4.3	15.5
ITB 02T-17	16	32.5	31.6	123	4.3	21.2
ITB 02T-18	18	36.4	35.1	123	4.3	21.2
ITB 02T-20	20	39.8	38.5	123	4.3	21.2
ITB 02T-22	22	43.0	41.7	123	4.3	21.2
ITB 02T-24	24	46.5	45.2	123	4.3	21.2
ITB 02T-28	28	53.3	52.0	206	5.6	21.2
ITB 02T-32	32	60.0	58.7	206	5.6	21.2
ITB 02T-36	36	66.2	64.9	206	5.6	21.2
ITB 02T-40	40	72.3	71.3	206	5.6	21.2

TABLE II

FINISH OPTIONS	
Sym	Description and RoHS compliant (*)
F2	Bright Nickel Plating (*)
F6	Black Electrodeposited Paint (*)
F7	Black Zn-Co Plating (*)
F8	Olive Drab Zn-Co Plating
F11	Electroless Nickel (*)
	Omit for standard version (Cadmium Olive Drab Finish)