

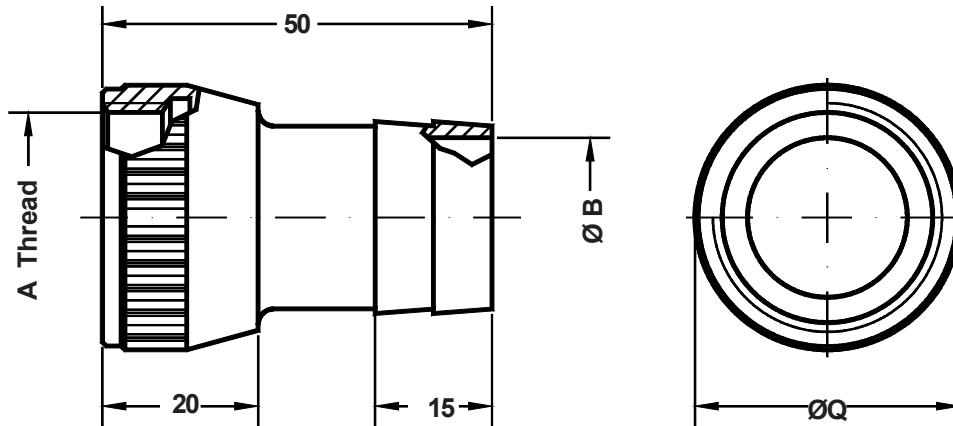
**IT 37267-32 BR4035 XX**

MIL-DTL-5015 Compatible  
Accessory

Basic Part Number  
and Shell Size Designator  
(Table I)

Nipple End Dimension  
Designator

Finish Options  
(Table II)



**Application Notes:**

1. Backshell for the attachment of UNI4883 type rubber conduit.
2. Standard materials configuration consists of aluminum alloy. For platings, see TABLE II finish options.
3. A broad range of other front and rear connector accessories are available.  
See our website and/or contact the factory for complete information.

**IT 37267-XXBRXX**  
**BR Adapter**  
for Termination of UNI4883 Rubber Conduit



**TABLE I: ADAPTER PART NUMBERS, SHELL SIZE, THREAD AND DIMENSIONS**

Part Number	Shell size	A Thread	ØB ±0.1	ØQ ±0.2
IT 37267-10BR1712	10SL	0.6250 - 24UNEF	10.5	20.0
IT 37267-18BR2722	18	1.0000 - 20UNEF	20.5	30.0
IT 37267-20BR1712	20 - 22	1.1875 - 18UNEF	10.5	34.0
IT 37267-20BR2722	20 - 22	1.1875 - 18UNEF	20.5	34.0
IT 37267-20BR2833	20 - 22	1.1875 - 18UNEF	31.5	42.0
IT 37267-28BR2520	24 - 28	1.4375 - 18UNEF	16.5	45.0
IT 37267-28BR2722	24 - 28	1.4375 - 18UNEF	20.5	45.0
IT 37267-28BR3126	24 - 28	1.4375 - 18UNEF	22.5	45.0
IT 37267-28BR3328	24 - 28	1.4375 - 18UNEF	26.5	45.0
IT 37267-28BR3530	24 - 28	1.4375 - 18UNEF	26.5	45.0
IT 37267-28BR3833	24 - 28	1.4375 - 18UNEF	31.5	45.0
IT 37267-28BR5045	24 - 28	1.4375 - 18UNEF	43.5	52.0
IT 37267-32BR3126	32	1.7500 - 18UNS	24.5	53.0
IT 37267-32BR3328	32	1.7500 - 18UNS	26.5	53.0
IT 37267-32BR3833	32	1.7500 - 18UNS	31.5	53.0
IT 37267-32BR4035	32	1.7500 - 18UNS	31.5	53.0
IT 37267-32BR5045	32	1.7500 - 18UNS	40.0	53.0
IT 37267-36BR3530	36	2.0000 - 18UNS	26.5	57.4
IT 37267-36BR3833	36	2.0000 - 18UNS	31.5	57.4
IT 37267-36BR4035	36	2.0000 - 18UNS	31.5	57.4
IT 37267-36BR5045	36	2.0000 - 18UNS	43.5	57.4
IT 37267-40BR4136	40	2.2500 - 16UN	31.5	63.0
IT 37267-40BR4540	40	2.2500 - 16UN	38.5	63.0
IT 37267-40BR5045	40	2.2500 - 16UN	43.5	63.0
IT 37267-40BR5550	40	2.2500 - 16UN	48.5	63.0

**TABLE II**

FINISH OPTIONS	
Sym	Description and RoHS compliant (*)
F2	Bright Nickel Plating (*)
F6	Black Electrodeposited Paint (*)
F7	Black Zn-Co Plating (*)
F8	Olive Drab Zn-Co Plating
F11	Electroless Nickel (*)
	Omit for standard version (Cadmium Olive Drab Finish)

