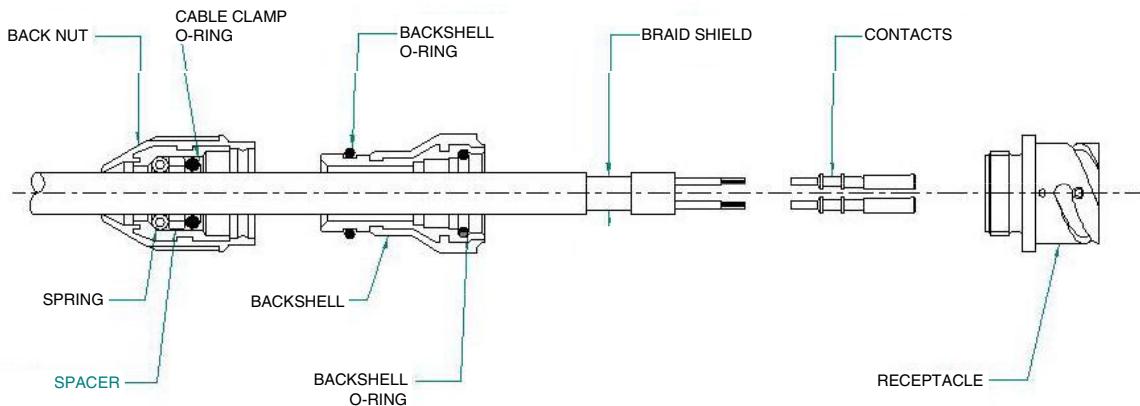


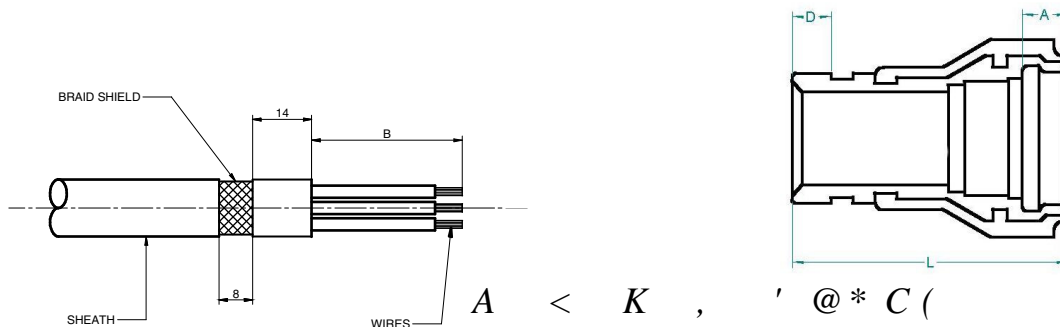


Figure 20: Receptacle Example

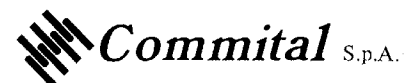


1) Cut back the cable jacketing as shown in figure 21.

Figure 21: Stripping the cable jacketing



- 2) Cut and strip off the cable jacketing pursuant to the dimensions shown in figure 21 to expose the braided shielding. Be careful to not cut any of the wire strands comprising the braided shielding.
- 3) Assemble the components as shown in figures 19 and 20.
- 4) Begin crimping (pages 13-15) or soldering (pages 10-12) the contacts.
- 5) For insertion of crimped contacts, follow the instructions on pages 16-19.
- 6) If you use lubricant to facilitate contact insertion, be sure to clean all insulating parts carefully (Use only isopropyl alcohol as a lubricant).



7) Assemble the components in the following manner:

7.1) PLUG

The ring, wave washer and the coupling nut should be assembled in sequence onto the connector shell, and the connector should be fastened to its fixed and secure mate or fixture to facilitate assembly.

7.2) RECEPTACLE

Lock the flange taking care to not damage it.

8) In sequence, assemble the insert, grommet and compression ring on the back of the connector.

9) Make sure the backshell O-ring is in the correct position.

10) Screw the backshell onto the connector using cushioned pliers (P/N: M120002) or a strap wrench (P/N: M120001) to avoid damaging the external plating. For correct torque, consult Table 7 on page 21.

11) Assemble the cable clamp with washer and spacer and tighten according to the torque values shown on Table 7, page 21.

Figure 22: RG Type Wired Connector

