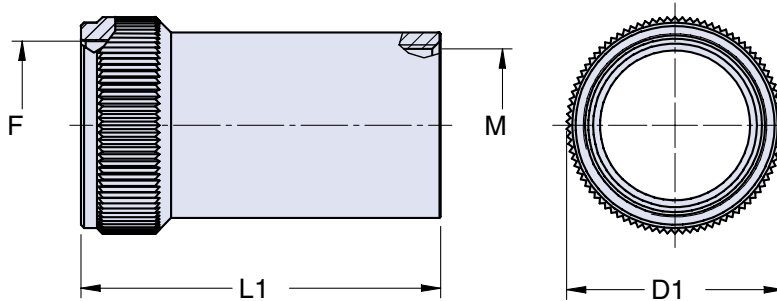


PL 37267-XXM
Metric Adapter



Commital P.N.	Shell Size	D1 ±0.2	F thread	M thread	L1 Max.
PL 37267-18M20x1.5	18	29.5	1.0000 - 20UNEF	M20x1.5	56.0
PL 37267-20M25x1.5	20	32.0	1.1250 - 18UNEF	M25x1.5	56.0
PL 37267-22M25x1.5	22	35.0	1.2500 - 18UNEF	M25x1.5	56.0
PL 37267-24M32x1.5	24	38.5	1.3750 - 18UNEF	M32x1.5	56.0
PL 37267-28M32x1.5	28	45.0	1.6250 - 18UNEF	M32x1.5	61.0
PL 37267-32M36x1.5	32	53.2	1.8750 - 16UN	M36x1.5	61.0
PL 37267-36M40x1.5	36	56.2	2.0625 - 16UN	M40x1.5	75.0
PL 37267-40M50x1.5	40	64.0	2.3125 - 16UN	M50x1.5	76.4

Application Notes:

1. Backshell adapter for the attachment of metric thread cable glands.
2. Standard materials configuration consists of aluminum alloy with cadmium free conductive finish and black passivation.
3. Other types of front and rear connector accessories are available.
See our website and/or contact the factory for complete information.

