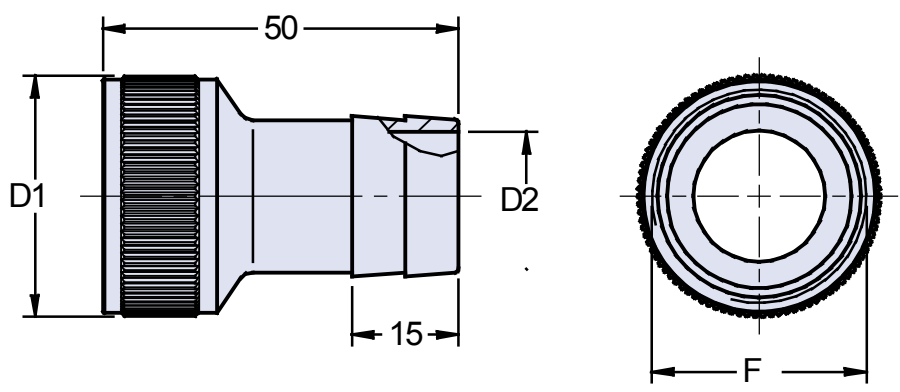
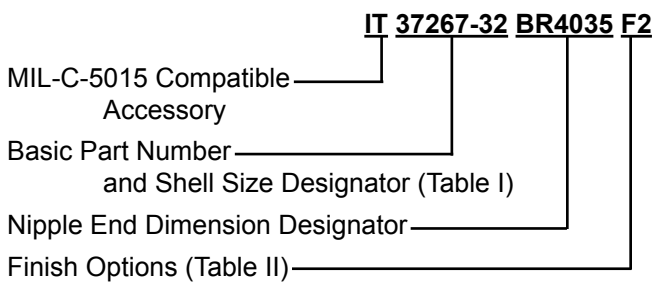


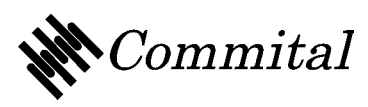


**IT 37267-BRXXX
BR Adapter
for Termination of UNI4883 Rubber Conduit**



Application Notes:

1. Backshell for the attachment of UNI4883 type rubber conduit.
2. Standard materials configuration consists of aluminum alloy with cadmium free conductive finish and black passivation.
3. Other types of front and rear connector accessories are available. See our website and/or contact the factory for complete information.



IT 37267-BRXXX
BR Adapter
for Termination of UNI4883 Rubber Conduit



TABLE I: PART NUMBER AND CONNECTOR SIZE DESIGNATOR

Part Number	Shell size	F thread	D1 -0.2	D2 -0.1
IT 37267-18BR2722	18	1.0000 - 20UNEF	30.0	20.5
IT 37267-20BR1712	20 - 22	1.1875 - 18UNEF	34.0	10.5
IT 37267-20BR2722	20 - 22	1.1875 - 18UNEF	34.0	20.5
IT 37267-20BR2833	20 - 22	1.1875 - 18UNEF	42.0	31.5
IT 37267-28BR2520	24 - 28	1.4375 - 18UNEF	45.0	16.5
IT 37267-28BR2722	24 - 28	1.4375 - 18UNEF	45.0	20.5
IT 37267-28BR3126	24 - 28	1.4375 - 18UNEF	45.0	22.5
IT 37267-28BR3328	24 - 28	1.4375 - 18UNEF	45.0	26.5
IT 37267-28BR3530	24 - 28	1.4375 - 18UNEF	45.0	26.5
IT 37267-28BR3833	24 - 28	1.4375 - 18UNEF	45.0	31.5
IT 37267-28BR5045	24 - 28	1.4375 - 18UNEF	45.0	36.2
IT 37267-32BR3126	32	1.7500 - 18UNS	53.0	24.5
IT 37267-32BR3328	32	1.7500 - 18UNS	53.0	26.5
IT 37267-32BR3833	32	1.7500 - 18UNS	53.0	31.5
IT 37267-32BR4035	32	1.7500 - 18UNS	53.0	31.5
IT 37267-32BR5045	32	1.7500 - 18UNS	53.0	40.0
IT 37267-36BR3530	36	2.0000 - 18UNS	57.4	26.5
IT 37267-36BR3833	36	2.0000 - 18UNS	57.4	31.5
IT 37267-36BR4035	36	2.0000 - 18UNS	57.4	31.5
IT 37267-36BR5045	36	2.0000 - 18UNS	57.4	43.5
IT 37267-40BR4136	40	2.2500 - 16UN	63.0	31.5
IT 37267-40BR4540	40	2.2500 - 16UN	63.0	38.5
IT 37267-40BR5045	40	2.2500 - 16UN	63.0	43.5
IT 37267-40BR5550	40	2.2500 - 16UN	63.0	48.5

TABLE II: MODIFICATION CODES

FINISH OPTIONS	
Sym	Description
F2	Bright Nickel Plating
F6	Black Electrodeposited Paint
F8	Olive Drab Zn-Co Plating
Omit for standard version (See Note 2)	

