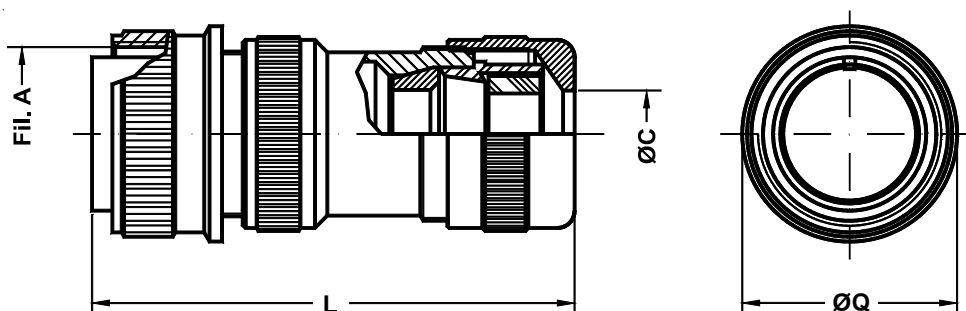


Connettore volante diretto *Straight plug*



Es. / Ex. : IT3106A20-27PPHM11EMI67

| Dimensione Guscio Shell Size | P.N. PHM | Filetto A A thread | C min. ÷ Max. | L Max. | Q ±0.2 |
|------------------------------------|--------------|-----------------------|------------------------|-----------|-----------|
| 10 SL | 9 | 0.6250 - 24UNEF | 2÷9 | 70 | 24.1 |
| 12 S | 11 | 0.7500 - 20UNEF | 2÷11 | 70 | 25.0 |
| 12 | 11 | 0.7500 - 20UNEF | 2÷11 | 70 | 25.0 |
| 14 S | 11 | 0.8750 - 20UNEF | 2÷11 | 70 | 28.0 |
| 14 | 11 | 0.8750 - 20UNEF | 2÷11 | 70 | 28.0 |
| 16 S | 11 | 1.0000 - 20UNEF | 2÷11 | 70 | 31.5 |
| 16 | 11 | 1.0000 - 20UNEF | 2÷11 | 80 | 31.5 |
| 18 | 11 / 18 | 1.1250 - 18UNEF | 2÷11 / 9÷16.5 | 80 | 34.0 |
| 20 | 11 / 18 | 1.2500 - 18UNEF | 2÷11 / 9÷16.5 | 80 | 37.2 |
| 22 | 18 | 1.3750 - 18UNEF | 9÷16.5 | 80 | 40.4 |
| 24 | 18 / 22 / 24 | 1.5000 - 18UNEF | 9÷16.5 / 15÷20 / 19÷24 | 90 | 43.5 |
| 28 | 18 / 22 / 24 | 1.7500 - 18UNS | 9÷16.5 / 15÷20 / 19÷24 | 90 | 49.9 |
| 32 | 22 / 24 | 2.0000 - 18UNS | 15÷20 / 19÷24 | 90 | 56.0 |
| 36 | 35 | 2.2500 - 16UN | 23÷35 | 105 | 62.5 |
| 40 | 35 | 2.5000 - 16UN | 23÷35 | 105 | 69.0 |

Connettore da cavo diretto completo di serracavo PHM.

Garantisce una ottima tenuta meccanica su cavi multipolari schermati e ambientale se munito di appositi O-Ring.

Straight plug complete with a PHM cable clamp that assures an excellent mechanical and waterproof seal with multipolar shielded cables if used with the correct neoprene sealing sleeves.

No grommet supplied.