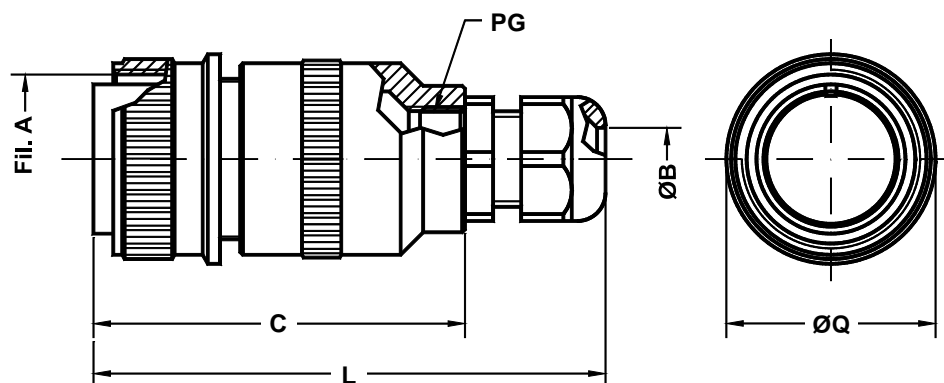


## Connettore volante diretto *Straight plug*



Es. / Ex. : IT3106A20-27PPH16

Dimensione Guscio <i>Shell Size</i>	Filetto A <i>A thread</i>	B min. ÷ Max.	C Max.	L Max.	Q ±0.2	Filetto PG <i>PG thread</i>
<b>10 SL</b>	0.6250 - 24UNEF	3÷6.5 / 4÷8 / 5÷10	50.0	76.0	24.1	7 / 9 / 11
<b>12 S</b>	0.7500 - 20UNEF	3÷6.5 / 4÷8 / 5÷10	50.0	76.0	25.0	7 / 9 / 11
<b>12</b>	0.7500 - 20UNEF	3÷6.5 / 4÷8 / 5÷10	50.0	76.0	25.0	7 / 9 / 11
<b>14 S</b>	0.8750 - 20UNEF	5÷10 / 6÷12	52.5	81.5	28.0	11 / 13.5
<b>14</b>	0.8750 - 20UNEF	5÷10 / 6÷12	61.0	90.0	28.0	11 / 13.5
<b>16 S</b>	1.0000 - 20UNEF	4÷8 / 5÷10 / 9÷14	52.5	83.5	31.5	9 / 11 / 16
<b>16</b>	1.0000 - 20UNEF	4÷8 / 5÷10 / 9÷14	61.0	92.0	31.5	9 / 11 / 16
<b>18</b>	1.1250 - 18UNEF	4÷8 / 5÷10 / 9÷14 / 13÷18	66.5	101.5	34.0	9 / 11 / 16 / 21
<b>20</b>	1.2500 - 18UNEF	5÷10 / 9÷14 / 13÷18	69.5	104.5	37.2	11 / 16 / 21
<b>22</b>	1.3750 - 18UNEF	6÷12 / 9÷14 / 13÷18	69.5	104.5	40.4	13.5 / 16 / 21
<b>24</b>	1.5000 - 18UNEF	6÷12 / 9÷14 / 13÷18 / 15÷25	71.5	110.5	43.5	13.5 / 16 / 21 / 29
<b>28</b>	1.7500 - 18UNS	9÷14 / 13÷18 / 15÷25	76.5	115.5	49.9	16 / 21 / 29
<b>32</b>	2.0000 - 18UNS	13÷18 / 15÷25	82.5	121.5	56.0	21 / 29
<b>36</b>	2.2500 - 16UN	13÷18 / 15÷25 / 20÷32	87.5	136.5	62.5	21 / 29 / 36
<b>40</b>	2.5000 - 16UN	15÷25 / 20÷32	92.5	141.5	69.0	29 / 36

Connettore da cavo diretto con custodia e serracavo PG plastico.

Altri PG possono essere forniti nelle varie taglie a richiesta.

*Straight plug with backshell and plastic PG cable gland.*

*Other types of PG backshells can be supplied in various sizes upon request.*

*No grommet supplied.*