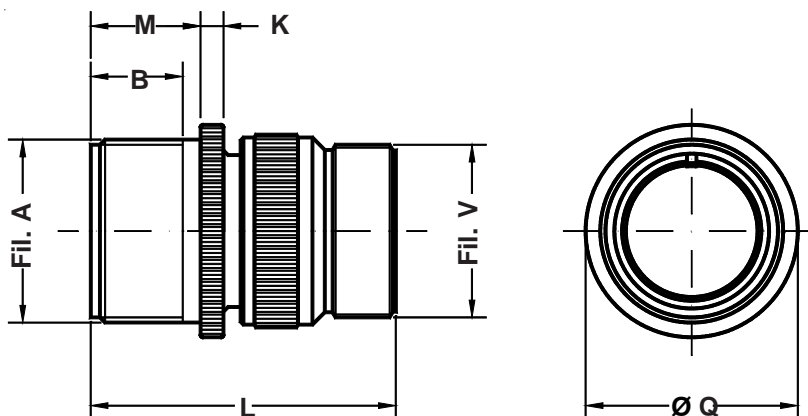


Connettore per giunzione volante
In-line receptacle



Es. / Ex. : IT3101A20-27P

Dimensione Guscio Shell Size	Filetto A A thread	B min.	K ±0.2	L Max.	M +0.2 -0	Q ±0.2	Filetto V V thread
10 SL	0.6250 - 24UNEF	11	2.8	44.0	14.3	21.6	0.6250 - 24UNEF
12 S	0.7500 - 20UNEF	11	2.8	44.0	14.3	24.9	0.6250 - 24UNEF
12	0.7500 - 20UNEF	16	2.8	51.5	19.1	24.9	0.6250 - 24UNEF
14 S	0.8750 - 20UNEF	11	3.3	46.4	14.5	28.8	0.7500 - 20UNEF
14	0.8750 - 20UNEF	16	3.3	53.0	19.1	28.8	0.7500 - 20UNEF
16 S	1.0000 - 20UNEF	11	3.3	46.4	14.5	30.6	0.8750 - 20UNEF
16	1.0000 - 20UNEF	16	3.3	57.8	19.1	30.6	0.8750 - 20UNEF
18	1.1250 - 18UNEF	16	4.0	57.8	19.1	33.7	1.0000 - 20UNEF
20	1.2500 - 18UNEF	16	4.0	58.1	19.1	36.9	1.1875 - 18UNEF
22	1.3750 - 18UNEF	16	4.0	58.1	19.6	39.5	1.1875 - 18UNEF
24	1.5000 - 18UNEF	17	4.0	59.7	20.6	43.9	1.4375 - 18UNEF
28	1.7500 - 18UNS	17	4.0	66.2	20.0	49.2	1.4375 - 18UNEF
32	2.0000 - 18UNS	17	4.0	71.3	22.3	55.8	1.7500 - 18UNS
36	2.2500 - 16UN	17	4.0	76.8	22.3	62.3	2.0000 - 18UNS
40	2.5000 - 16UN	17	4.0	76.8	22.3	68.5	2.2500 - 16UN

Connettore per giunzioni volanti.
Fornito completo di adattatore per serracavo
MS 3057-XX A/B/C.

In-line receptacle.
Includes backshell for MS 3057-XX A/B/C
cable clamp.