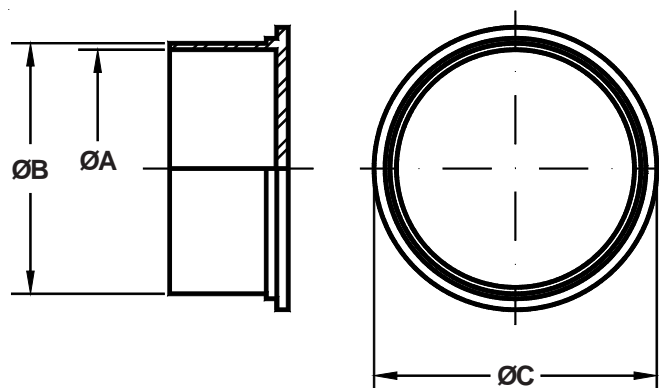


Tappo plastico antipolvere
Protective plastic cap



Codice Commital <i>Commital P/N</i>	Dimens. guscio <i>Shell size</i>	A ± 0.25	B ± 0.25	C ± 0.78
IT90376 - 10Y	10SL	13.46	15.11	19.05
IT90376 - 10R		15.37	16.89	21.33
IT90376 - 12Y	12S	16.64	18.16	21.84
IT90376 - 12R		18.29	19.68	24.64
IT90376 - 14Y	14S	19.94	21.46	26.19
IT90376 - 14R		21.59	22.99	28.57
IT90376 - 16Y	16S - 16	22.68	24.46	28.57
IT90376 - 16R		23.80	26.29	30.99
IT90376 - 18Y	18	26.11	27.63	31.75
IT90376 - 18R		27.76	29.34	33.78
IT90376 - 20Y	20	29.21	30.86	35.71
IT90376 - 20R		31.28	33.04	37.21
IT90376 - 22Y	22	32.26	34.04	38.10
IT90376 - 22R		34.04	35.81	40.38
IT90376 - 24Y	24	35.30	37.08	41.66
IT90376 - 24R		37.16	38.94	43.18
IT90376 - 28Y	28	41.86	43.64	47.62
IT90376 - 28R		43.56	45.46	49.53
IT90376 - 32Y	32	48.00	50.04	53.97
IT90376 - 32R		49.91	51.82	56.39
IT90376 - 36Y	36	54.35	56.13	59.44
IT90376 - 36R		56.26	58.16	61.85
IT90376 - 40Y	40	60.45	62.23	66.04
IT90376 - 40R		61.98	64.26	67.56

Tappo di protezione contro la polvere.
La versione R è da usare con connettori da pannello, la versione Y con connettori volanti.

Cap for protection against dust.
The R version is for use with receptacles, the Y version for plugs.