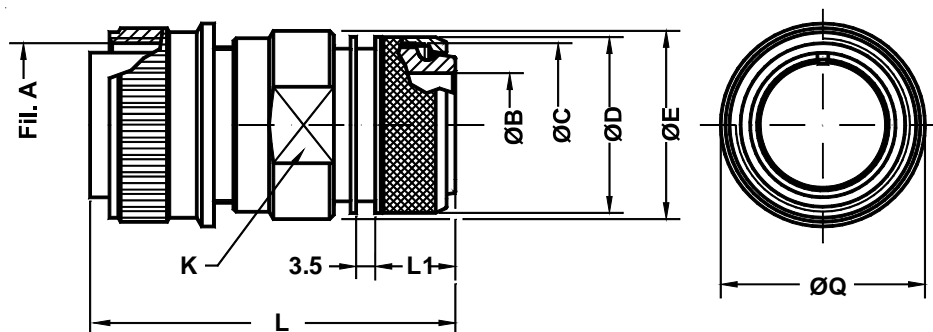


Connettore volante diretto
Straight plug



Es. / Ex. : IT3106SP20-27P

| Dimensione Guscio Shell Size | Filetto A A thread | B min. | C ±0.1 | D ±0.2 | E ±0.2 | Ch. K K key | L Max. | L1 ±0.1 | Q ±0.2 |
|------------------------------------|-----------------------|-----------|-----------|-----------|-----------|----------------|-----------|------------|-----------|
| 10 SL | 0.6250 - 24UNEF | 8.5 | 13.0 | 15.5 | 17.0 | 20 | 52.7 | 8.2 | 24.1 |
| 12 S | 0.7500 - 20UNEF | 8.5 | 13.0 | 15.5 | 17.0 | 20 | 52.7 | 8.2 | 25.0 |
| 12 | 0.7500 - 20UNEF | 8.5 | 13.0 | 15.5 | 17.0 | 20 | 57.5 | 8.2 | 25.0 |
| 14 S | 0.8750 - 20UNEF | 12.0 | 16.5 | 19.1 | 20.1 | 23 | 53.4 | 8.2 | 28.0 |
| 14 | 0.8750 - 20UNEF | 12.0 | 16.5 | 19.1 | 20.1 | 23 | 55.0 | 8.2 | 28.0 |
| 16 S | 1.0000 - 20UNEF | 14.5 | 21.5 | 23.9 | 23.5 | 26 | 53.4 | 8.2 | 31.5 |
| 16 | 1.0000 - 20UNEF | 14.5 | 21.5 | 23.9 | 23.5 | 26 | 65.8 | 8.0 | 31.5 |
| 18 | 1.1250 - 18UNEF | 17.5 | 21.7 | 23.9 | 26.5 | 28 | 65.8 | 8.0 | 34.0 |
| 20 | 1.2500 - 18UNEF | 19.5 | 26.0 | 29.6 | 30.5 | 32 | 66.1 | 8.9 | 37.2 |
| 22 | 1.3750 - 18UNEF | 22.0 | 26.0 | 29.6 | 33.6 | 36 | 66.1 | 8.9 | 40.4 |
| 24 | 1.5000 - 18UNEF | 25.0 | 34.5 | 37.8 | 36.1 | 39 | 65.7 | 9.2 | 43.5 |
| 28 | 1.7500 - 18UNS | 29.0 | 34.3 | 37.8 | 41.4 | 46 | 66.2 | 9.2 | 49.9 |
| 32 | 2.0000 - 18UNS | 34.0 | 43.6 | 47.8 | 48.6 | 52 | 73.8 | 11.7 | 56.0 |
| 36 | 2.2500 - 16UN | 38.5 | 43.6 | 47.8 | 54.8 | 58 | 83.8 | 11.7 | 62.5 |
| 40 | 2.5000 - 16UN | 48.0 | 52.6 | 57.8 | 60.9 | 65 | 83.8 | 11.7 | 69.0 |

Connettore da cavo diretto.
Fornito completo di zoccolo isolante e custodia ispezionabile per guaina termorestringente e raccolta di calza schermo.

Straight plug.
Includes wire sealing grommet and backshell with rotating clamp nut. Shielded cable is terminated with a "braid trap" nut and heat shrink tubing (optional).