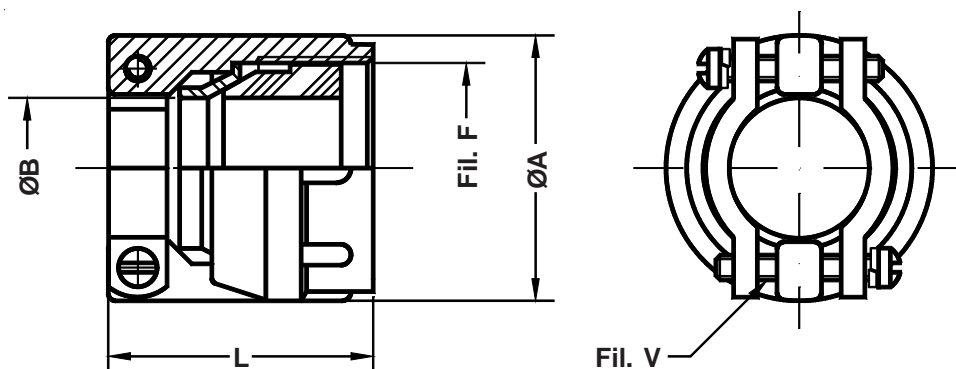


Serracavo

Cable clamp



Cod. Commital <i>Commital P/N</i>	Dim. conn. <i>Conn. size</i>	Bussola da utilizzare <i>Sleeve to use</i>	A	B		Filetto F <i>F thread</i>	L	Filetto V <i>V thread</i>
				min.	Max.			
IT3057 - 4C	10SL - 12 - 12S	IT3420 - 4A	22.6	2.38	7.93	0.6250 - 24UNEF	32.3	6 - 32 NC
IT3057 - 6C	14 - 14S	IT3420 - 4A / 6A	25.8	5.84	11.12	0.7500 - 20UNEF	32.3	6 - 32 NC
IT3057 - 8C	16 - 16S	IT3420 - 6A / 8A	28.1	8.00	13.84	0.8750 - 20UNEF	32.3	6 - 32 NC
IT3057 - 10C	18	IT3420 - 6A / 10A	31.0	9.60	15.87	1.0000 - 20UNEF	35.3	6 - 32 NC
IT3057 - 12C	20 - 22	IT3420 - 8A / 12A	37.3	11.30	19.00	1.1875 - 18NEF	35.7	8 - 32 NC
IT3057 - 16C	24 - 28	IT3420 - 8A / 12A / 16A	42.0	15.50	23.80	1.4375 - 18NEF	38.5	8 - 32 NC
IT3057 - 20C	32	IT3420 - 12A / 16A / 20A	54.0	23.40	31.75	1.7500 - 18NS	44.8	250 - 20 NC
IT3057 - 24C	36	IT3420 - 16A / 18A / 24A	57.1	23.40	35.00	2.0000 - 18NS	51.6	250 - 20 NC
IT3057 - 28C	40	IT3420 - 16A / 20A / 28A	63.5	29.90	41.25	2.2500 - 16UN	51.6	250 - 20 NC

Morsetto serracavo a tenuta meccanica ed ambientale su cavo multipolare sotto guaina.

Waterproof cable clamp suitable for jacketed cable or wires protected by tubing. Assures watertight integrity of connector.