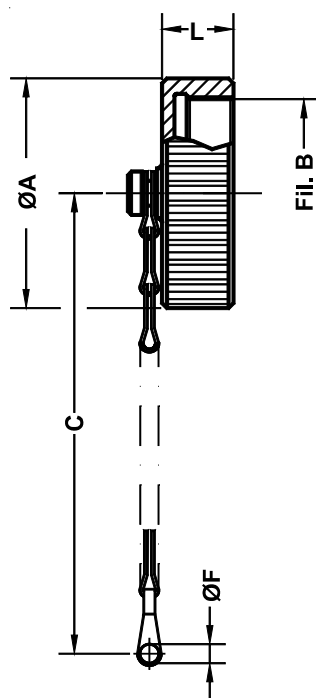


**Tappo a vite per connettori da pannello**  
*Threaded cap for receptacle connectors*



Codice Commital	Dimens. conn.	A	Filetto B	C	L	F
<i>Commital P/N</i>	<i>Connector size</i>		<i>B thread</i>	min.		+0.25 -0.13
IT 25043 - 10D	10S - 10SL	20.7	0.6250 - 24UNEF	102	11.9	3.55
IT 25043 - 12D	12 - 12S	25.4	0.7500 - 20UNEF	115	11.9	3.55
IT 25043 - 14D	14 - 14S	28.6	0.8750 - 20UNEF	115	11.9	3.55
IT 25043 - 16D	16 - 16S	30.2	1.0000 - 20UNEF	115	11.9	3.55
IT 25043 - 18D	18	34.1	1.1250 - 18UNEF	115	11.9	3.55
IT 25043 - 20D	20	37.3	1.2500 - 18UNEF	127	11.9	3.55
IT 25043 - 22D	22	40.4	1.3750 - 18UNEF	127	11.9	3.55
IT 25043 - 24D	24	43.6	1.5000 - 18UNEF	140	11.9	4.30
IT 25043 - 28D	28	50.0	1.7500 - 18UNS	197	13.5	4.30
IT 25043 - 32D	32	56.3	2.0000 - 18UNS	197	13.5	4.80
IT 25043 - 36D	36	62.7	2.2500 - 16UN	197	13.5	4.80
IT 25043 - 40D	40	69.0	2.5000 - 16UN	197	13.5	4.80

Tappo metallico con catena in acciaio inox.

*Metal cap with stainless steel chain.*