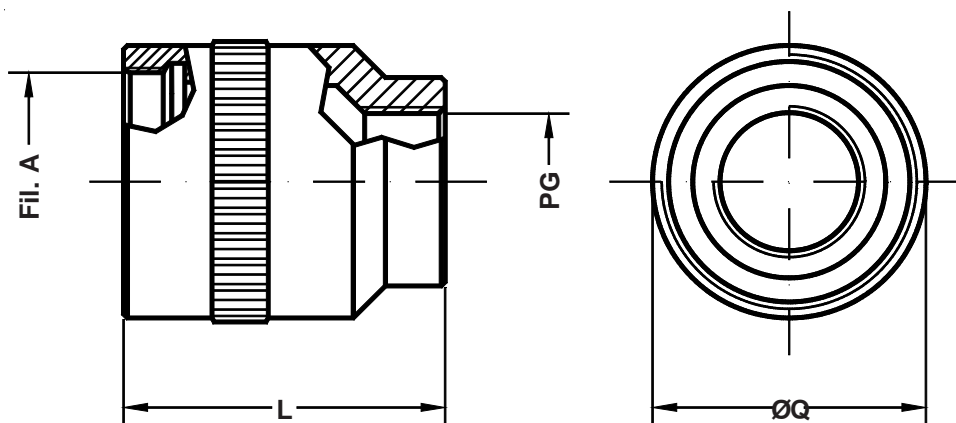


Raccordo PG

PG adaptor



| Dimensione Guscio Shell Size | Filetto A A thread | L Max. | Q Max. | Filetto PG PG thread |
|------------------------------------|-----------------------|-----------|-----------|-------------------------|
| 10 SL | 0.6250 - 24UNEF | 30.0 | 22.5 | 7 / 9 / 11 |
| 12 S - 12 | 0.6250 - 24UNEF | 30.0 | 22.5 | 7 / 9 / 11 |
| 14 S - 14 | 0.7500 - 20UNEF | 32.0 | 23.5 | 11 / 13.5 |
| 16 S | 0.8750 - 20UNEF | 32.0 | 25.5 | 9 / 11 / 16 |
| 16 | 0.8750 - 20UNEF | 32.0 | 25.5 | 9 / 11 / 16 |
| 18 | 1.0000 - 20UNEF | 40.0 | 30.5 | 9 / 11 / 16 / 21 |
| 20 | 1.1250 - 18UNEF | 42.0 | 35.5 | 11 / 16 / 21 |
| 22 | 1.2500 - 18UNEF | 42.0 | 35.5 | 13.5 / 16 / 21 |
| 24 | 1.3750 - 18UNEF | 42.0 | 40.5 | 13.5 / 16 / 21 / 29 |
| 28 | 1.6250 - 18UNEF | 47.0 | 45.5 | 16 / 21 / 29 |
| 32 | 1.8750 - 16UN | 52.0 | 52.5 | 21 / 29 |
| 36 | 2.0625 - 16UN | 57.0 | 60.0 | 21 / 29 / 36 |
| 40 | 2.3125 - 16UN | 62.0 | 63.5 | 29 / 36 |

Raccordo per serracavo PG per connettori
diritti in classe A.

*Adaptor for PG cable gland for use with class
A straight plugs.*