

APPLICATION NOTES

Plastic caps for protection against dust and limited damage.

IT 90376-10R

MIL-C-26482 ————
Accessory

Basic Part Number ————
and Shell Size

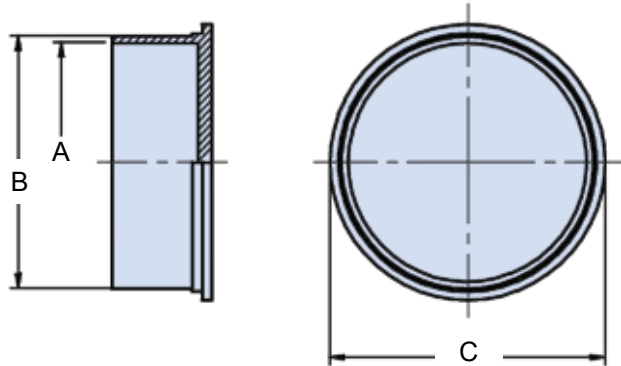


TABLE I: RECEPTACLE CAP DIMENSIONS				
Commital P/N	Shell size	A ±0.25	B ±0.25	C ±0.78
IT 90376- 8R	Receptacle 8	12.19	13.71	18.79
IT 90376-10R	Receptacle 10	15.36	16.89	21.33
IT 90376-14Y	Receptacle 12	18.28	19.68	24.63
IT 90376-16Y	Receptacle 14	21.59	22.98	28.57
IT 90376-18Y	Receptacle 16	24.71	26.28	30.98
IT 90376-20Y	Receptacle 18	27.76	29.33	33.78
IT 90376-22Y	Receptacle 20	31.26	33.04	37.21
IT 90376-24Y	Receptacle 22	34.03	35.81	40.38
IT 90376-24R	Receptacle 24	37.16	38.93	43.18

TABLE II: PLUG CAP DIMENSIONS				
Commital P/N	Shell size	A ±0.25	B ±0.25	C ±0.78
IT 90376- 8Y	Plug 8	10.49	12.26	17.01
IT 90376- 8R	Plug 10	13.46	15.11	19.05
IT 90376-12Y	Plug 12	16.63	18.16	21.84
IT 90376-12R	Plug 14	19.93	21.46	26.18
IT 90376-16Y	Plug 16	22.68	24.46	28.57
IT 90376-16R	Plug 18	26.11	27.63	31.75
IT 90376-18R	Plug 20	29.21	30.86	35.71
IT 90376-20R	Plug 22	32.25	34.03	38.10
IT 90376-22R	Plug 24	35.30	37.08	41.65