

IPT 3180-C and IPT 3180-CF Protective Plug Covers



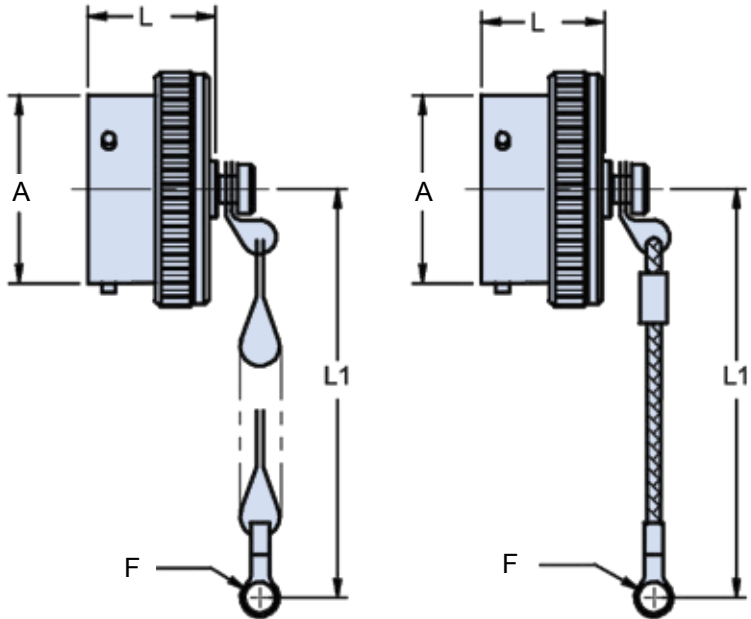
IPT 3180-10 C F2

MIL-C-26482
Accessory

Basic Part Number
and Shell Size

Lanyard Style
C - Chain
CF - Nylon Cord

Finish Options
(See Table II)



Example: IPT3180-18C
(Stainless Steel Chain)

Example: IPT3180-18CF
(Nylon Cord)

APPLICATION NOTES

Metal cap and stainless steel chain for plugs.

TABLE II:

Shell Finish

Omit for Standard Cad/Olive Drab Finish

F2 - Bright Nickel Plating (RoHs)

F6 - Black Electrodeposited Paint (RoHs)

F7 - Black Zn-Co Plating (RoHs)

F8 - Olive Drab Zn-Co Plating

TABLE I: DIMENSIONS

| Commital P/N | Shell size | A +0.02 -0.12 | F +0.2 0 | L +0.6 -0.4 | L1 min. |
|--------------|------------|---------------------|----------------|-------------------|------------|
| IPT3180-8C | 8 | 12:01 | 4.3 | 13.5 | 76.2 |
| IPT3180-10C | 10 | 14.98 | 4.3 | 13.5 | 76.2 |
| IPT3180-12C | 12 | 19:05 | 4.3 | 13.5 | 88.9 |
| IPT3180-14C | 14 | 22:22 | 4.3 | 13.5 | 88.9 |
| IPT3180-16C | 16 | 25.40 | 4.3 | 13.5 | 88.9 |
| IPT3180-18C | 18 | 28.57 | 4.3 | 13.5 | 88.9 |
| IPT3180-20C | 20 | 31.75 | 4.3 | 15.1 | 101.6 |
| IPT3180-22C | 22 | 34.92 | 4.3 | 15.1 | 101.6 |
| IPT3180-24C | 24 | 38.10 | 4.3 | 15.9 | 101.6 |