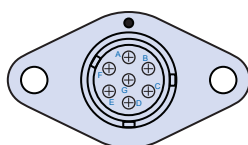


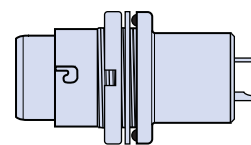
Compact Filter Receptacles for Panel Mounting

Planar filter array receptacles use capacitors and ferrite inductors for attenuation of unwanted high frequency noise and interference. Select the appropriate mounting style (jam nut or flange mount) and the desired filter topology (Pi or C). Stainless steel body and jam nut, with black chromate finish. Available with 7 or 10 contacts. Mates to standard CB plug connectors. Solder cup or printed circuit board contacts.



Style 1

1 Flange mount receptacle for front panel mounting.

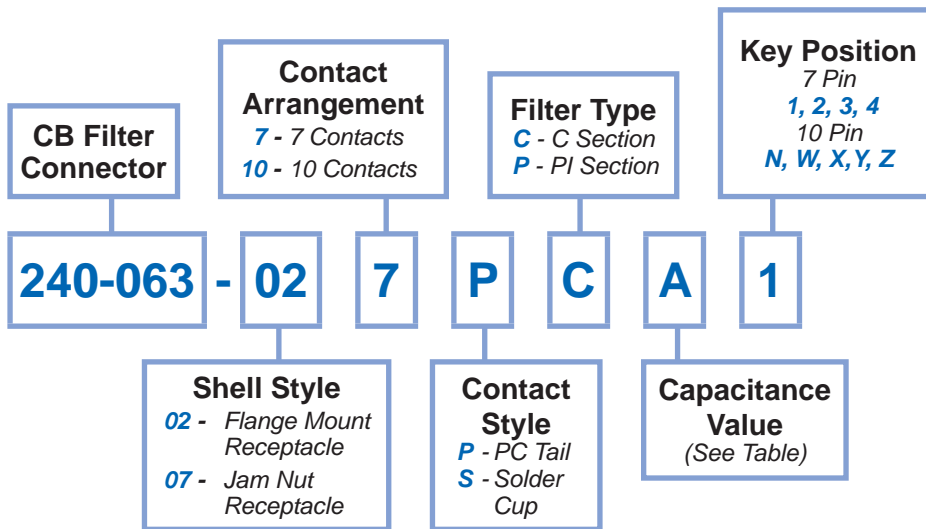


Style 2

2 Jam nut receptacle for rear panel mounting. Fits up to 3mm panel thickness.

How To Order

SPECIFICATIONS	
Voltage (DWV)	250 VDC maximum
Current	2.5 Amps maximum
Insulation Resistance	5000 megohms minimum
Maximum Wire Size	#20 AWG
Shell	Stainless steel w/ black chromate
Jam Nut	Stainless steel w/ black chromate
O-Ring	Silicone
Interfacial Seal	Silicone
Contact	Copper alloy, gold plated
Water Immersion	MIL-STD-810 Method 512.1 meter
Ingress Protection	IP68
Mating Cycles	5000 cycles minimum



CAPACITANCE VALUE		
CODE	PI - SECTION (pF)	C - SECTION (pF)
A	38,000 - 56,000	19,000 - 28,000
B	32,000 - 45,000	16,000 - 22,500
C	18,000 - 33,000	9,000 - 16,500
D	8,000 - 12,000	4,000 - 6,000
E	3,300 - 5,000	1,650 - 2,500
F	800 - 1,300	400 - 650
G	400 - 600	200 - 300

All dimensions in millimeters (mm). Information subject to change without notice.

CAGE Code 06324

Printed in U.S.A.

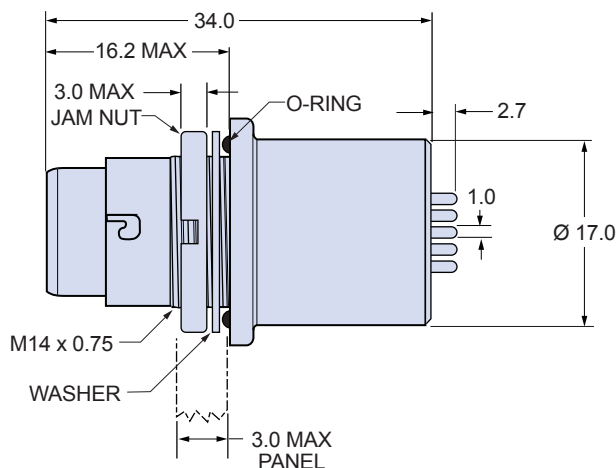
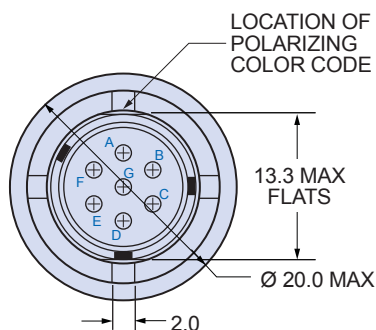
7 Pin Filter Jam Nut Receptacle for Rear Panel Mounting



Eliminate unwanted high frequency electrical interference with European standard filtered CB07 connector. Stainless steel body and jam nut, with black chromate finish. Mates to standard CB07 plug connectors. Printed circuit board contacts are gold plated. Watertight when unmated, CB07 filtered connectors offer 5000 cycles of mating and meet harsh environment requirements.

7 Pin Filter Receptacle

Polarizing Position 1 (Blue)	Polarizing Position 2 (Yellow)	Polarizing Position 3 (Green)	Polarizing Position 4 (Pink)
CB07C1L1F	CB07C2L1F	CB07C3L1F	CB07C4L1F

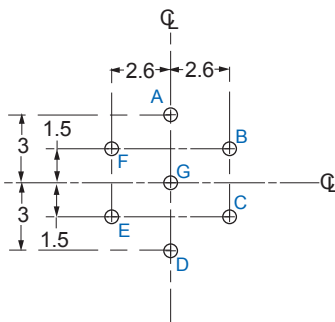


Panel cutouts and printed circuit board mounting patterns are shown on page 13.

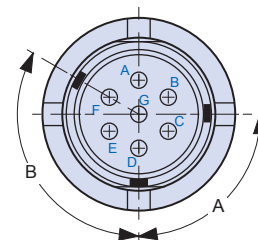
SPECIFICATIONS

Capacitance	3000 pF at 25°C, 1 KHz, 1Vrms
Voltage (DWV)	250 VDC maximum
Current	2.5 Amps maximum
Insulation Resistance	5000 megohms minimum
Shell	Stainless steel w/ black chromate
Jam Nut	Stainless steel w/ black chromate
O-Ring, Face Seal	Silicone
Contact	Copper alloy, gold plated
Water Immersion	MIL-STD-810 Method 512 1 meter
Ingress Protection	IP68
Mating Cycles	5000 Cycles minimum

Printed Circuit Board Pattern



Connector Mating Face and Key Positions



Position	A	B	Color Code
1	90°	120°	Blue
2	105°	130°	Yellow
3	110°	135°	Green
4	100°	165°	Pink

All dimensions in millimeters (mm). Information subject to change without notice.

CAGE Code 06324

Printed in U.S.A.