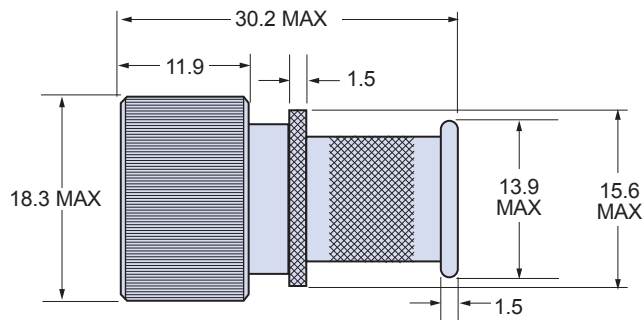


## Banding Adapter for Shielding and Overmolding



Black zinc plated aluminum alloy adapter fits all CB plugs and receptacles with M14 x 1 threads. Attach adapter to connector and fill with potting compound for wire protection and waterproofing. Attach shield and cable strength members to adapter with Glenair tool 600-061 using 3mm stainless steel **BAND-IT**® straps. Maximum weight 7 grams.

Description	Part Number
Banding Adapter	<b>CBBSBI-T</b>



## BAND-IT® Shield Termination System



Fast, cost-effective shield termination. Attach cable shields to Series 80 connectors or backshells with **BAND-IT**® stainless steel straps. The **BAND-IT**® system offers fast termination and the flexibility to handle a wide range of parts with just one band size. Approved for aerospace and defense, these straps have successfully passed rigorous shock, vibration and environmental testing.

**1** Micro Band Installation Tool. Use with 3.05 mm wide bands. 172 mm length, 0.6 Kg.

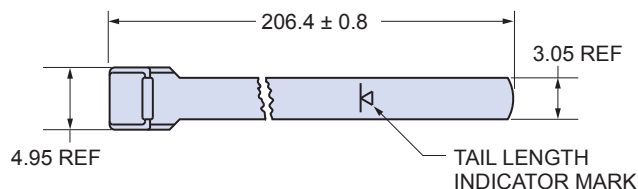
**2** Micro Band, 3.05 mm wide. Available flat or pre-coiled. Stainless steel.



Figure	Description	Part Number
1	Micro Band Installation Tool	<b>600-061</b>

Figure	Length in.	Part Number	Accommodates Maximum Diameter
2	8.125 206.38	Flat	22.3
		Pre-Coiled	
		<b>600-057</b>	<b>600-057-1</b>

Contact Glenair or visit our website ([glenair.com](http://glenair.com)) to view our complete line of **BAND-IT**® products, including pneumatic tools for high volume production and calibration kits.



## Heat Shrinkable Boots



**Protect Your Cable Harness** with semi-rigid heat-shrinkable boots. These easy-to-use boots provide excellent electrical, mechanical and environmental protection. Made from flame-retardant elastomeric material, these adhesive-lined boots are resistant to high temperature and chemicals. Heating the boot causes the boot to shrink onto the connector and cable. An adhesive lining bonds the boot to the connector and cable and fills small gaps for a complete seal. Choose straight cable exit or right angle exit.

**Style 1**



**Style 2**

**1** Straight boot, adhesive-lined. Fits all CB Series PogoPin connectors.

**2** Right angle boot for 90° cable exit. Fits all CB Series PogoPin Connectors.

## SPECIFICATIONS

**Standard Material** Fluid resistant cross-linked elastomer per VG95343 Part 6

**Low Toxicity Material** Fluid resistant cross-linked elastomer per NAVSEA 5617649

**Adhesive** Polyamide hot melt

**Min. Shrink Temperature** +135°C

**Installation Temperature** +175°C.

**Temperature Range** -55°C to +105°C

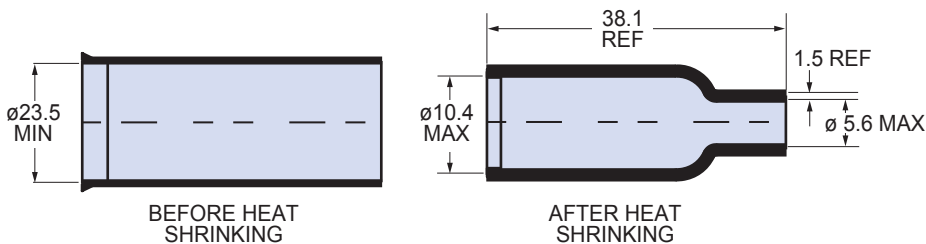
**Solvent Resistance** Saline – Excellent  
Hydraulic Fluid – Very Good  
Lubricating Oil – Very Good  
Aviation Fuel – Very Good  
Gasoline – Very Good  
Diesel – Fair  
De-Icing Fluid – Excellent

**Flammability** Self-extinguishing

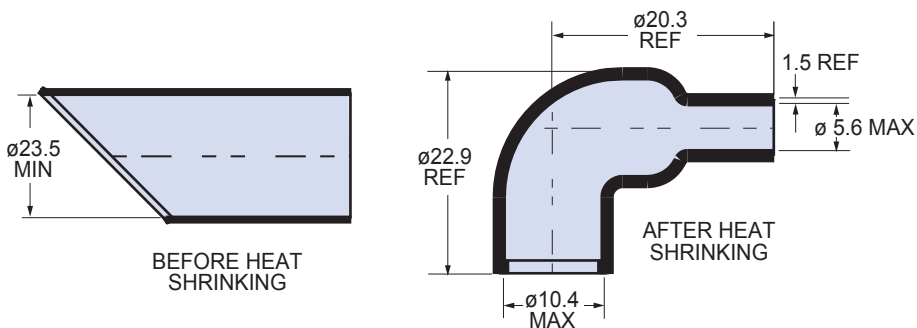
**Dielectric Strength** 480 V/mil

Figure	Configuration	Fluid Resistant Elastomer	Low-Smoke Zero Halogen
1	Straight	809S060-3	809S060-3H
2	Right Angle	809A060-3	809A060-3H

## Straight Boot Dimensions



## Right Angle Boot Dimensions



All dimensions in millimeters (mm). Information subject to change without notice.

CAGE Code 06324

Printed in U.S.A.

## PG Thread Adapter



**PG Adapter**



**PG Adapter with Flexible Cordgrip**



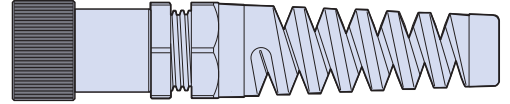
**PG Adapter with Flexible Cordgrip, with CB Plug and Jacketed Cable**

PG thread adapters fit all CB Series connectors with M14 x 1 accessory threads. These adapters accept all standard PG 7 liquid tight cordgrips.



**Style 1**

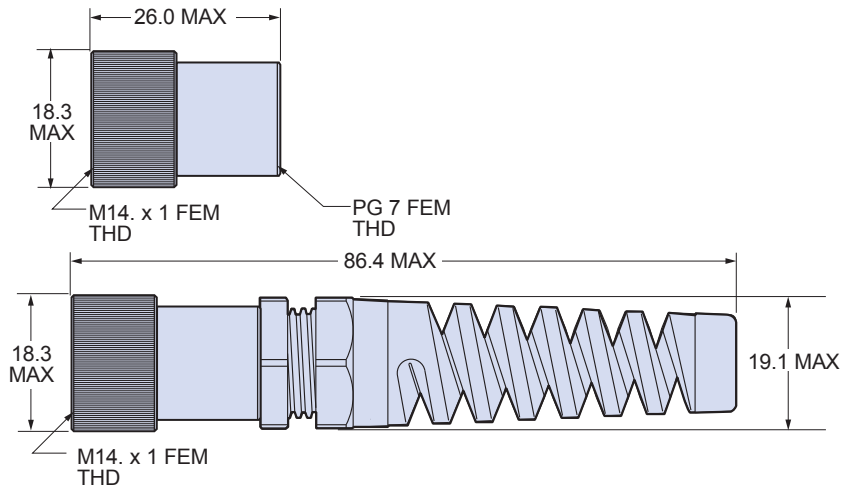
**1** PG 7 adapter fits all CB Series connectors with M14 x 1 accessory thread. Aluminum alloy with black zinc plating. Maximum weight 6 grams.



**Style 2**

**2** PG 7 adapter with liquid tight flexible cordgrip. Adapter fits all CB Series connectors with M14 x 1 accessory thread. Aluminum alloy with black zinc plating. Cordgrip is 6/6 nylon with thermoplastic elastomeric sealing gland. Fits cable diameter 3.5mm to 7mm. Supplied with nitrile O-ring for adapter-to-cordgrip seal. Maximum weight 15 grams.

Figure	Configuration	Part Number
1	Adapter Only	<b>CBBSPG7-T</b>
2	Adapter and Cordgrip	<b>CBBSPG7CD-T</b>



## Jam Nut Tightening Tool



Nickel-plated steel tightening tool fits jam nut receptacles. Fits 3/8 inch drive torque wrench. 18.5mm diameter, 25.4 mm length, 23 grams.

**Part Number**  
**600-146-04**

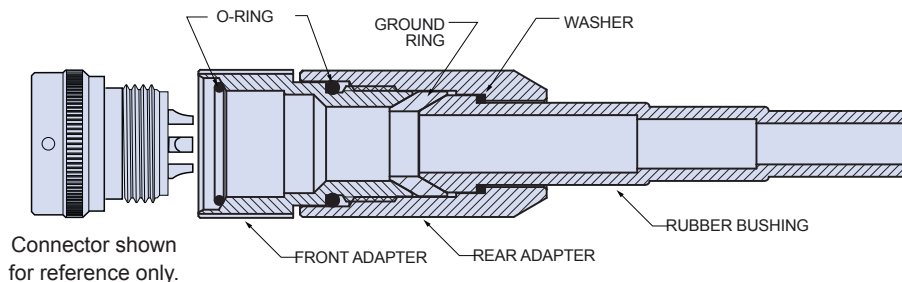
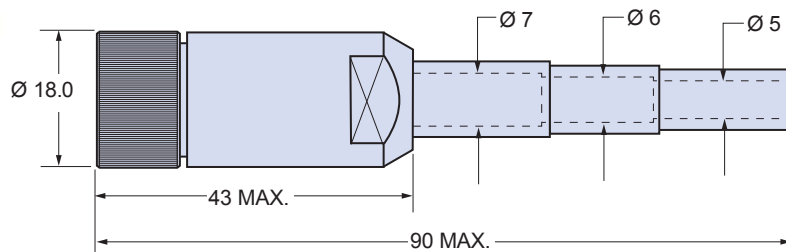
Recommended installation torque: 6-7 N-m.

## Shielded Backshell with Flexible Rubber Bushing

Black zinc plated aluminum alloy backshell fits CB Series connectors with M14 x 1 threads. Black nitrile bushing provides flexible cable strain relief and cable sealing. Cut tapered bushing to fit varying cable diameters. Supplied unassembled with two O-rings and aluminum alloy ground ring. Maximum weight 15 grams.



**Part Number**  
**CBBS-E1**

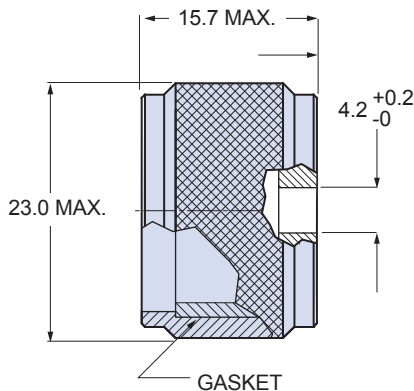


## Dummy Receptacle for CB Series Plugs

Attach dummy receptacle to panel or chassis with M4 screw (not supplied). Aluminum alloy, black zinc plated. Resilient gasket holds plug in place. Maximum weight 7 grams.



**Part Number**  
**CBCAP-Z6**

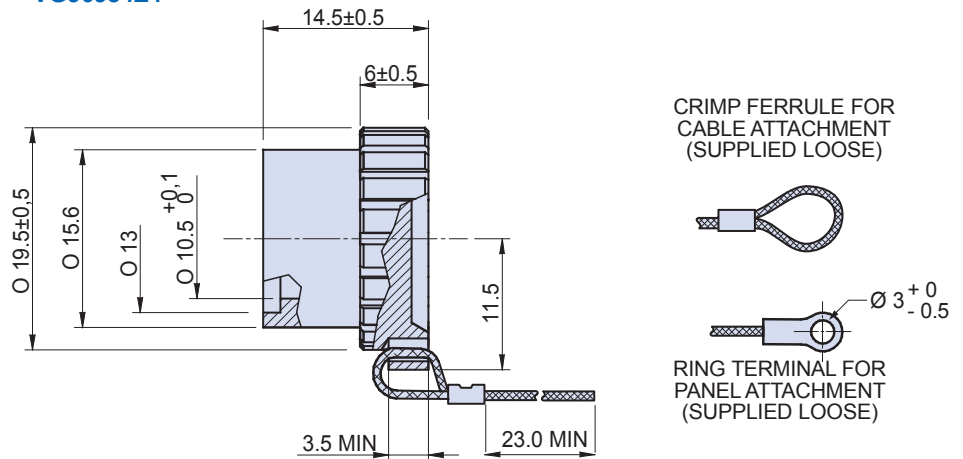


## Rubber Protective Cover for CB Series Receptacles



Black nitrile rubber cover fits all CB Series receptacles including shrouded versions. Tight friction fit prevents water ingress to unmated connector. Supplied with nylon rope, ring terminal and ferrule. Terminal and ferrule are supplied unassembled. Attach to panel with ring terminal, or attach to cable with crimp ferrule. Use standard crimp tools for installation. Maximum weight 5 grams.

**Part Number**  
**VG96934Z4**



## Protective Cover for CB Series Plugs



Watertight aluminum alloy cover protects CB Series plugs from damage when unmated. Black zinc plated. O-ring holds cover in place. Supplied with nylon rope, with ring terminal or loop. Attach with ring terminal, or attach to cable with loop. Maximum weight 7 grams.

Figure	Configuration	Part Number
1	25 mm Loop	<b>CBA10Z6</b>
2	Ring Terminal	<b>CBA10Z3</b>

