

Cable Shield Grounding Assembly Female - GA/CSGA

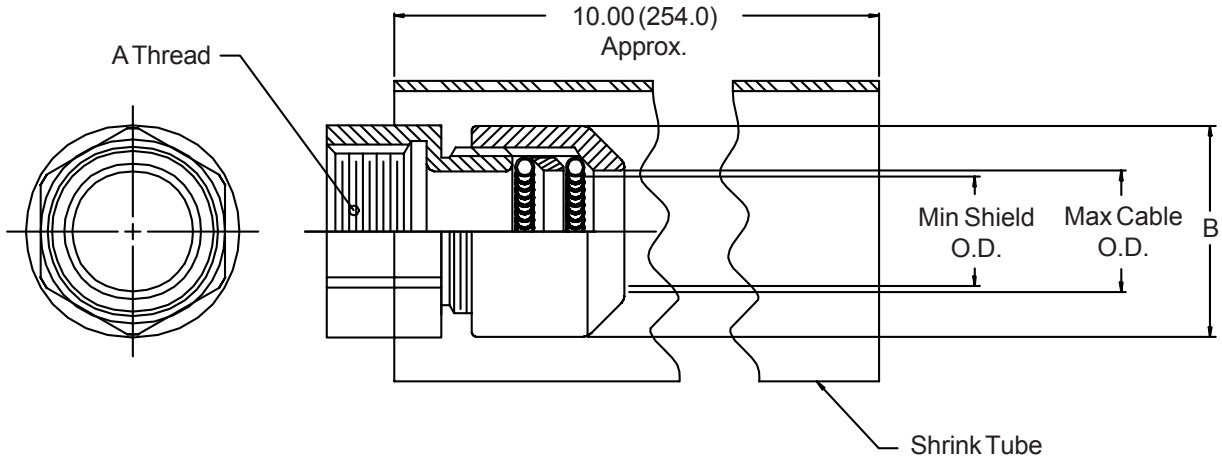


TABLE II

Part Number	A Thread	Max Cable O.D.	Min Shield O.D.	B Max	Shrink Tube Part Number
GA/CSGA-1A	7/8 - 12 UN	.406 (10.3)	.200 (5.1)	1.12 (28.4)	HRSR 125
GA/CSGA-2A	1 - 12 UN	.406 (10.3)	.200 (5.1)	1.12 (28.4)	HRSR 125
GA/CSGA-2B	1 - 12 UN	.515 (13.1)	.260 (6.6)	1.12 (28.4)	HRSR 125
GA/CSGA-3A	1 1/8 - 12 UN	.515 (13.1)	.260 (6.6)	1.12 (28.4)	HRSR 125
GA/CSGA-4A	1 1/4 - 12 UN	.640 (16.3)	.400 (10.2)	1.32 (33.5)	HRSR 175
GA/CSGA-4B	1 1/4 - 12 UN	.750 (19.1)	.400 (10.2)	1.63 (41.4)	HRSR 175
GA/CSGA-5A	2 - 12 UN	.843 (21.4)	.430 (10.9)	1.75 (44.5)	HRSR 200
GA/CSGA-5B	2 - 12 UN	.953 (24.2)	.580 (14.7)	1.88 (47.8)	HRSR 200
GA/CSGA-5C	2 - 12 UN	1.062 (27.0)	.690 (17.5)	1.88 (47.8)	HRSR 200
GA/CSGA-5D	2 - 12 UN	1.172 (29.8)	.800 (20.3)	2.06 (52.3)	HRSR 250
GA/CSGA-6A	2 1/2 - 12 UN	1.172 (29.8)	.800 (20.3)	2.06 (52.3)	HRSR 250
GA/CSGA-6B	2 1/2 - 12 UN	1.265 (32.1)	.890 (22.6)	2.18 (55.4)	HRSR 250
GA/CSGA-6C	2 1/2 - 12 UN	1.406 (35.7)	1.010 (25.7)	2.32 (58.9)	HRSR 250
GA/CSGA-7A	2 3/4 - 12 UN	1.515 (38.5)	1.130 (28.7)	2.38 (60.5)	HRSR 250
GA/CSGA-7B	2 3/4 - 12 UN	1.625 (41.3)	1.130 (28.7)	2.44 (62.0)	HRSR 250
GA/CSGA-8A	3 1/4 - 12 UN	1.750 (44.5)	1.250 (31.8)	2.75 (69.9)	HRSR 300
GA/CSGA-8B	3 1/4 - 12 UN	1.875 (47.6)	1.380 (35.1)	2.88 (73.2)	HRSR 300
GA/CSGA-8C	3 1/4 - 12 UN	2.062 (52.4)	1.560 (39.6)	3.13 (79.5)	HRSR 400
GA/CSGA-9A	4 - 12 UN	2.185 (55.5)	1.690 (42.9)	3.25 (82.6)	HRSR 400

1. Metric dimensions (mm) are indicated in parentheses.

2. Material/Finish:

Adapters - Al Alloy/Cadmium Olive Drab Over Electroless Nickel (500 Hour Salt Spray).*

Ferrule and Grounding Springs - Cres/Passivate.

Tubing - Heat Shrinkable, Flame Retardant, With Adhesive.

*Available in Passivated 316 Stainless Steel, add 49A to end of part number.